



Power Your Critical Mission Today

SVRCH2800S SERIES

SPACE QUALIFIED HYBRID DC-DC CONVERTERS



SVRCH Series DC-DC Converter

Models Available

 Input: 16 V to 40 V continuous, 50 V transient

 1.5 W, single output of 3.3 V, 5 V, 12 V, 15 V

 Qualified to MIL-PRF-38534 Class H and Class K

 Designed for TOR Compliance

1.0 DESCRIPTION

The SVRCH Series of space qualified DC-DC converters is specifically designed for the harsh radiation environment of space applications and is designed in accordance with Aerospace TOR requirements. Performance is guaranteed through the use of hardened semiconductor components, radiation lot acceptance testing (RLAT) of non-hardened components, and analysis. The SVRCH Series has been characterized for Total Ionizing Dose (TID) performance including Enhanced Low Dose Rate Sensitivity (ELDRS) and for Single Event Effects (SEE) according to VPT's DLA-approved Radiation Hardness Assurance (RHA) plan per MIL-PRF-38534, Appendix G, Level R. Characterization is performed at both the component level and at the SVRCH Series hybrid converter level.

The SVRCH Series of DC-DC converters is radiation hardened and suited for use in low Earth orbit (LEO), medium Earth orbit (MEO), geostationary orbit (GEO), deep space, and launch vehicle programs.

1.1 FEATURES

- Up to 1.5 W output power
- Wide input voltage range: 16 V to 40 V plus 50 V transient
- Continuous operation over full military temperature range of -55 °C to +125 °C with no power derating
- Very low output noise
- No use of optoisolators
- Undervoltage lockout
- Current limit protection / short circuit protection

1.2 SPACE LEVEL CHARACTERIZATIONS

- Guaranteed TID performance to 100 krad(Si) including ELDRS
- SEE performance to 85 MeV/mg/cm². Transients are fully characterized for cross section and magnitude
- Worst-case analysis, stress, radiation, reliability reports available

1.3 MANUFACTURING AND COMPLIANCE

- Qualified to MIL-PRF-38534 Class H and Class K, DLA SMD # TBD
- Available compliant to MIL-HDBK-1547 and Aerospace TOR component level element evaluation
- MIL-PRF-38534 element evaluated components
- MIL-STD-461 C/D/E/F/G when used with appropriate VPT EMI filter
- Manufactured in a MIL-PRF-38534 Class H and Class K facility
- MIL-STD-883
- ISO-9001

1.4 PACKAGING

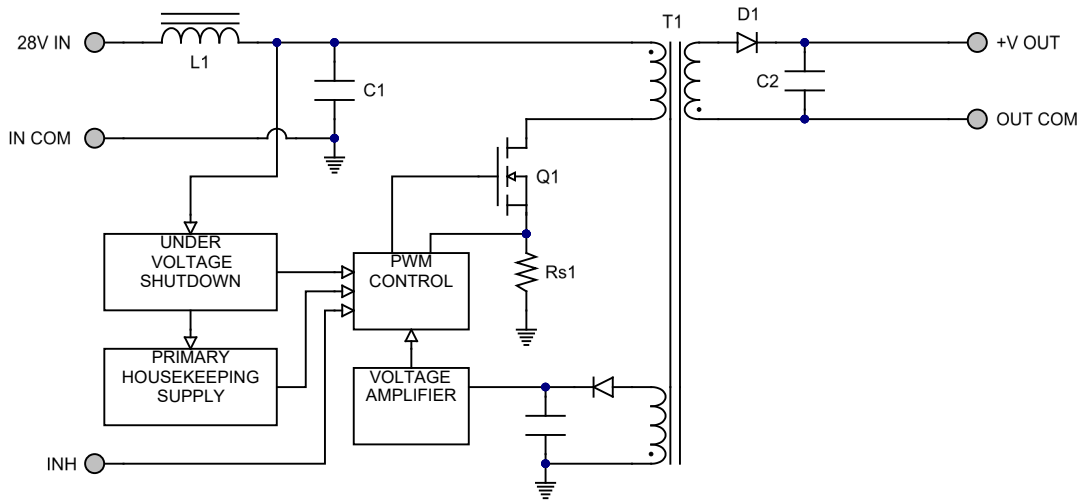
- Low-profile: 1.075" x 1.075" x 0.270"
- Max weight: 16 g
- Industry standard pinout
- Precision projection-welded hermetic metal case

1.5 SIMILAR PRODUCTS AND ACCESSORIES

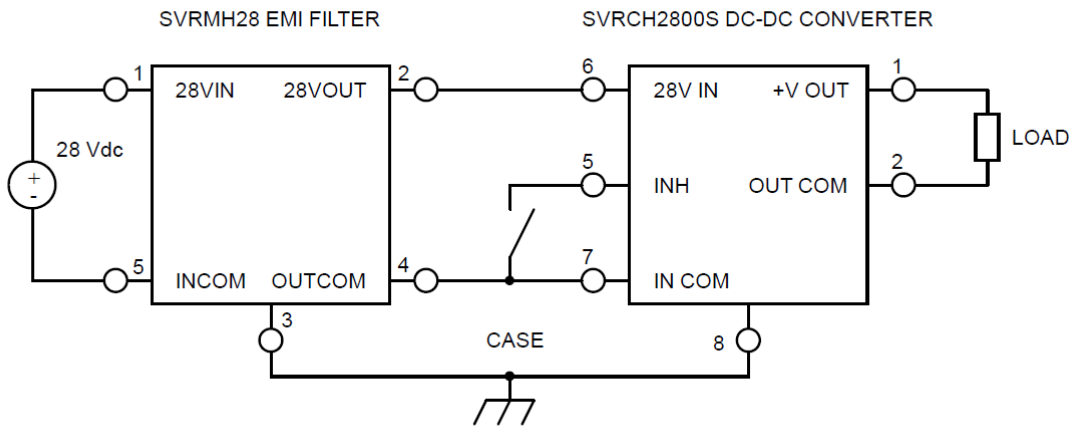
- [DVCH](#) 1.5 W DC-DC converter
- Custom versions available
- [EMI filters](#)
- Non-isolated, space qualified [point of load converters](#)
- Use with Thermal Pad [TP-005](#)

2.0 DIAGRAMS

2.1 BLOCK DIAGRAM



2.2 CONNECTION DIAGRAM



3.0 SPECIFICATIONS

3.1 ABSOLUTE MAXIMUM RATINGS

Absolute Maximum Ratings			
Input Voltage (Continuous):	-0.5 V to 40 ⁴ V	Operating Temperature (Full Load):	-55 °C to +125 °C
Input Voltage (Transient, 1 second):	-0.5 V to 50 V	Storage Temperature:	-65 °C to +150 °C
ESD Rating per MIL-PRF-38534:	1C	Lead Solder Temperature (10 seconds):	270 °C

3.2 PERFORMANCE SPECIFICATIONS

Tcase = -55 °C to +125 °C, Vin = +28 V ± 5%, Full Load, Unless Otherwise Specified

Parameter	Conditions	SVRCH283R3S			SVRCH2805S			Units
		Min	Typ	Max	Min	Typ	Max	
INPUT								
Voltage	Continuous	16	28	40 ⁴	16	28	40 ⁴	V
	Transient, 1 sec ²	-	-	50	-	-	50	V
Current	INH < 1.5 V	-	3	6	-	3	6	mA
	No Load	-	8	14	-	8	14	mA
Ripple Current	20 Hz to 10 MHz	-	10	30	-	10	30	mApp
Undervoltage Lockout	Turn-On	11.80	-	12.55	11.80	-	12.55	V
	Turn-Off ²	10.52	-	11.39	10.52	-	11.39	V
OUTPUT STATIC								
Voltage	Tcase = 25 °C	3.267	3.3	3.333	4.95	5	5.05	V
	Tcase = -55 °C to +125 °C	3.225	3.3	3.400	4.89	5	5.15	V
Power		0	-	1.2	0	-	1.5	W
Current		0	-	0.36	0	-	0.30	A
Ripple Voltage	20 Hz to 10 MHz	-	30	60	-	25	50	mVpp
Line Regulation	Vin = 16 V to 40 V	-	30	80	-	20	70	mV
Load Regulation	10% Load to Full Load	-	300	450	-	300	450	mV
Load Regulation	50% Load to Full Load	-	80	200	-	80	200	mV
Load Fault Power Dissipation	Overload ²	-	1	3	-	1	3	W
	Short Circuit ²	-	2	5	-	2	4	W
OUTPUT DYNAMIC								
Load Step, Half to Full Load	Output Transient	-	50	200	-	60	200	mVpk
	Recovery ¹	-	90	200	-	90	200	µs
Line Step ² , Vin = 18 V to 40 V	Output Transient	-	100	200	-	120	250	mVpk
	Recovery ¹	-	100	300	-	100	300	µs
Turn-On, Vin = 0 V to 28 V	Delay	-	5	20	-	5	20	ms
	Overshoot	-	0	15	-	0	25	mVpk
FUNCTION								
INH Pin Input ²	Output Inhibited	0	-	1.5	0	-	1.5	V
INH Pin Open Circuit Voltage ²	Output Enabled	9	11.3	14	9	11.3	14	V
GENERAL								
Efficiency		63	70	-	67.5	74	-	%
Capacitive Load ²		-	-	500	-	-	500	µF
Switching Frequency		372	400	412	372	400	412	kHz
Isolation	500 V DC, Tcase = 25 °C	100	-	-	100	-	-	MΩ
Weight		-	-	16	-	-	16	g
MTBF (MIL-HDBK-217F) ⁵	SF, Class K @ Tcase = 55 °C	-	4.03	-	-	4.03	-	MHr
POST-RAD END-OF-LIFE LIMITS³								
Input Ripple Current		-	-	55	-	-	70	mApp
Output Ripple Voltage		-	-	85	-	-	90	mVpp
Output Voltage	Tcase = -55 °C to +85 °C	3.103	-	3.448	4.74	-	5.22	V
Switching Frequency	Tcase = -55 °C to +85 °C	300	-	450	300	-	450	kHz
Undervoltage Lockout	Turn-On	11	-	15.5	11	-	15.5	V
	Turn-Off	9.7	-	14	9.7	-	14	V

1. Time for output voltage to settle within 1% of steady-state value.
2. Verified by initial electrical design verification. Post design verification, parameter shall be guaranteed to the limits specified.
3. End-of-Life performance includes aging and radiation degradation and is within standard limits except where noted.
4. 37.5 V Max continuous to be compliant to MIL-HDBK-1547 and Aerospace TOR.
5. Correction factor of 0.12 added to ceramic capacitors

3.2 PERFORMANCE SPECIFICATIONS

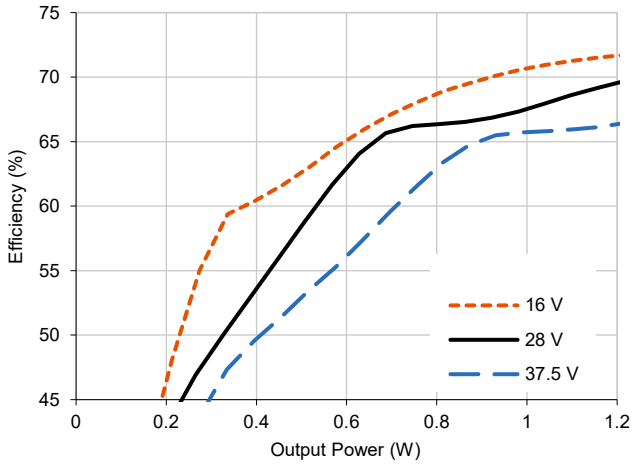
Tcase = -55 °C to +125 °C, Vin = +28 V ± 5%, Full Load, Unless Otherwise Specified

Parameter	Conditions	SVRCH2812S			SVRCH2815S			Units
		Min	Typ	Max	Min	Typ	Max	
INPUT								
Voltage	Continuous	16	28	40 ⁴	16	28	40 ⁴	V
	Transient, 1 sec ²	-	-	50	-	-	50	V
Current	INH < 1.5 V	-	3	6	-	3	6	mA
	No Load	-	9	15	-	10	16	mA
Ripple Current	20 Hz to 10 MHz	-	10	30	-	10	30	mApp
Undervoltage Lockout	Turn-On	11.80	-	12.55	11.80	-	12.55	V
	Turn-Off ²	10.52	-	11.39	10.52	-	11.39	V
OUTPUT STATIC								
Voltage	Tcase = 25 °C	11.88	12	12.12	14.85	15	15.15	V
	Tcase = -55 °C to +125 °C	11.72	12	12.40	14.75	15	15.40	V
Power		0	-	1.5	0	-	1.5	W
Current		0	-	0.125	0	-	0.10	A
Ripple Voltage	20 Hz to 10 MHz	-	20	60	-	20	60	mVpp
Line Regulation	Vin = 16 V to 40 V	-	50	100	-	50	100	mV
Load Regulation	10% Load to Full Load	-	400	700	-	500	750	mV
Load Regulation	50% Load to Full Load	-	125	350	-	150	400	mV
Load Fault Power Dissipation	Overload ²	-	1	3	-	1	3	W
	Short Circuit ²	-	2	5	-	2	5	W
OUTPUT DYNAMIC								
Load Step, Half to Full Load	Output Transient	-	100	250	-	60	250	mVpk
	Recovery ¹	-	-	200	-	-	200	µs
Line Step ² , Vin = 18 V to 40 V	Output Transient	-	190	450	-	150	400	mVpk
	Recovery ¹	-	150	500	-	50	200	µs
Turn-On, Vin = 0 V to 28 V	Delay	-	5	20	-	5	20	ms
	Overshoot	-	0	50	-	0	50	mVpk
FUNCTION								
INH Pin Input ²	Output Inhibited	0	-	1.5	0	-	1.5	V
INH Pin Open Circuit Voltage ²	Output Enabled	9	11.3	14	9	11.3	14	V
GENERAL								
Efficiency		71.5	77.5	-	71	78	-	%
Capacitive Load ²		-	-	165	-	-	165	µF
Switching Frequency		372	400	412	372	400	412	kHz
Isolation	500 V DC, Tcase = 25 °C	100	-	-	100	-	-	MΩ
Weight		-	-	16	-	-	16	g
MTBF (MIL-HDBK-217F) ⁵	SF, Class K @ Tcase = 55 °C	-	4.03	-	-	4.03	-	MHr
POST-RAD END-OF-LIFE LIMITS³								
Input Ripple Current		-	-	75	-	-	80	mApp
Output Ripple Voltage		-	-	60	-	-	60	mVpp
Output Voltage	Tcase = -55 °C to +85 °C	11.47	-	12.50	14.36	-	15.63	V
Switching Frequency	Tcase = -55 °C to +85 °C	300	-	450	300	-	450	kHz
Undervoltage Lockout	Turn-On	11	-	15.5	11	-	15.5	V
	Turn-Off	9.7	-	14	9.7	-	14	V

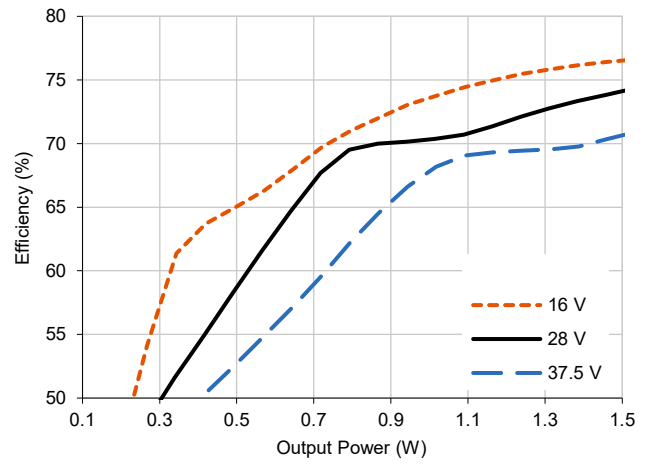
1. Time for output voltage to settle within 1% of steady-state value.
2. Verified by initial electrical design verification. Post design verification, parameter shall be guaranteed to the limits specified.
3. End-of-Life performance includes aging and radiation degradation and is within standard limits except where noted.
4. 37.5 V Max continuous to be compliant to MIL-HDBK-1547 and Aerospace TOR.
5. Correction factor of 0.12 added to ceramic capacitors

4.0 PERFORMANCE CURVES

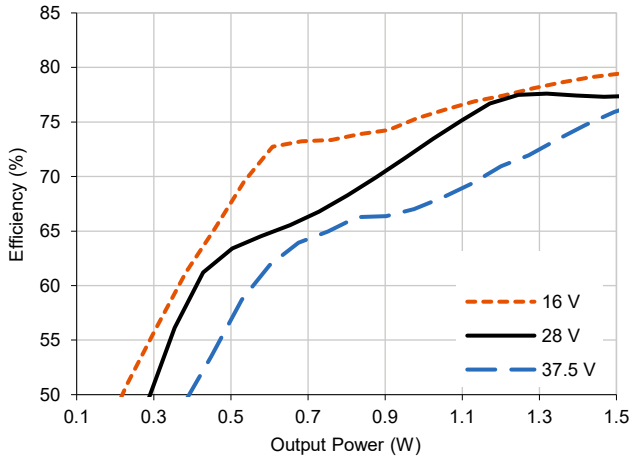
4.1.1 SVRCH283R3S Efficiency (Typical, 25 °C)



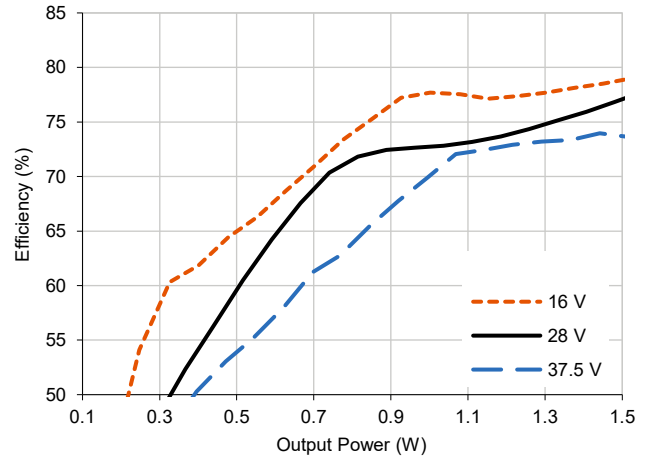
4.1.2 SVRCH2805S Efficiency (Typical, 25 °C)



4.1.3 SVRCH2812S Efficiency (Typical, 25 °C)

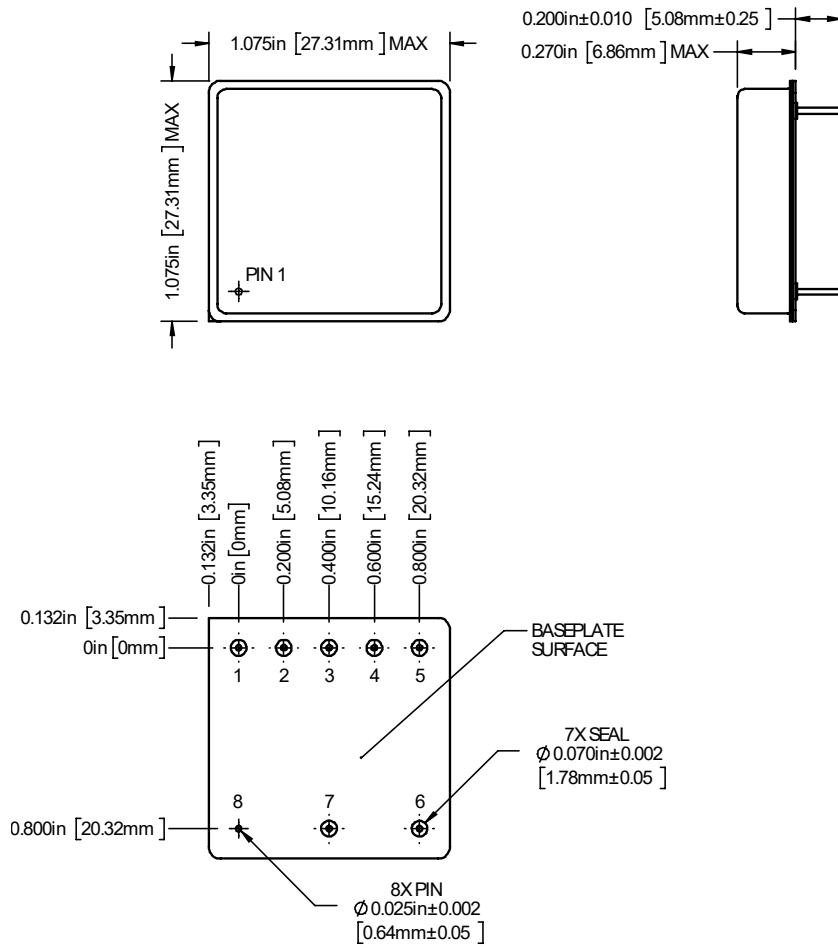


4.1.4 SVRCH2815S Efficiency (Typical, 25 °C)



5.0 MECHANICAL OUTLINES AND PINOUT

Standard Package Option:



1. Tolerances are +0.005" unless otherwise stated
2. Case temperature is measured on the center of the baseplate surface
3. Materials: Case (Steel, gold over nickel plated); Cover (Steel, nickel plated); Pin (Copper-cored alloy 52, gold over nickel plated); Pin Seals (Glass)

Pin	Function	Pin	Function	Pin	Function
1	+VOUT	4	NC	7	INCOM
2	OUTCOM	5	INH	8	CASE
3	NC	6	28VIN		

6.0 TECHNICAL NOTES



Please note that many of these functions are also demonstrated in detail on the VPT website in the form of [technical video labs](#).



6.1 GENERAL INFORMATION

6.1.1 Topology Description

The SVRCH2800S Series is an isolated single-output flyback converter. It operates over a wide input voltage range and provides a regulated positive output voltage with respect to the OUTCOM pin. Feedback isolation is accomplished using a primary side winding reducing parts and reducing power consumption.

6.1.2 External Components

The SVRCH2800S Series is designed to operate stand-alone in most applications. It does not require any external components for proper operation or to meet the datasheet specifications. Input and output L-C filters are provided internally for low ripple and noise. To further reduce output ripple and noise, a small ceramic capacitor, 1 μ F to 10 μ F, can be added at the output. Most application specific ripple requirements can be met with the addition of output capacitors alone. External output capacitance can be added up to the maximum listed in Section 3.2.

6.1.3 Source Impedance

The impedance of the 28 V input source can interact with the DC-DC converter and can affect performance. High source impedance is often caused by a long input cable or components added in series with the input. Source resistance will cause a DC voltage drop as the converter draws DC input current. This voltage drop is simply the cable resistance multiplied by the input current at low line. The voltage drop and the actual voltage at the input to the converter will determine the minimum source voltage at which the converter will operate. A high source inductance can interact with the feedback control loop of the converter. VPT's EMI filters will usually isolate the source and eliminate this problem. In some cases, additional input capacitance will be needed to stabilize the system.

6.1.4 Output Configurations

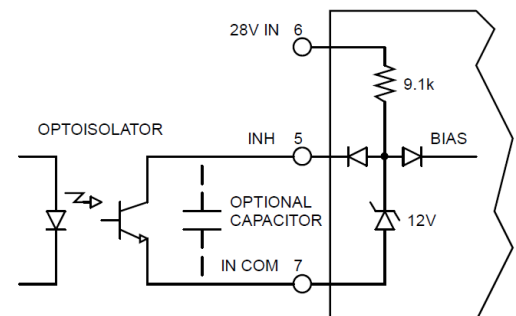
Since the converter is isolated, the output can be configured as a positive or negative voltage. For example, the SVRCH2812S can provide +12 V DC referenced to OUTCOM or -12 V referenced to +VOUT.

The outputs of multiple converters can be stacked in series to provide higher voltages. When outputs of multiple modules are stacked, they naturally share the load. For example, two SVRCH2812S converters can be stacked to provide a 24 V output at 3 W.

6.2 FUNCTION DESCRIPTIONS

6.2.1 On/Off Control (Inhibit)

The INH (Inhibit) pin is a primary-side control pin referenced to INCOM. The INH pin must be driven using an open collector or open drain configuration. Pulling the INH pin low disables the converter output, removes bias voltage from internal control circuitry, and puts the converter in a state of minimum input current draw. Leaving INH open enables the output, allowing the converter to operate normally. The pin must be pulled below 1.5 V to disable the output. An optional capacitor from INH to INCOM may be used to delay turn-on. The INH pin should be left open if not used.



6.3 PROTECTION FEATURES

6.3.1 Input Undervoltage Lockout

The SVRCH2800S Series provides input undervoltage lockout protection. For input voltages below the turn-on voltage, the converter will remain off, drawing minimal current from the source. When the input voltage exceeds the turn-on voltage, the converter will start. The lockout circuit is designed to tolerate slow ramping input voltage waveforms.

6.3.2 Output Soft Start

The SVRCH2800S Series utilizes an output soft-start function to ramp the output in a controlled manner, eliminating output voltage overshoot and limiting inrush current at turn on. A voltage-mode soft-start ensures the output waveform remains consistent regardless of changes in the load current. The output rise time is approximately 5 ms. The soft-start function is active whether the module is turned on with an application of input voltage or from release of the inhibit pin. Under normal conditions, current drawn from the source during turn-on will not exceed the full-load input current. The turn-on delay time is specified from the application of input voltage (or release of the inhibit pin) until the output reaches 90% of its final value.

6.3.3 Output Overcurrent Protection

The SVRCH2800S Series provides output overcurrent and output short circuit protection. During a load fault condition, a constant output current control circuit reduces the converter duty cycle to limit the output current to approximately 125% of its rated value. The converter will continue to provide constant current into any overload or short circuit condition. This feature allows the converter to start into any capacitive load. Recovery is automatic and immediate upon removal of the fault condition. Sustained short circuit or overload operation can cause excessive power dissipation. Care should be taken to control the operating temperature of the converter in this condition.

6.4 THERMAL CONSIDERATIONS

The SVRCH2800S Series is rated for full power operation at 125 °C. Operation above 125 °C is allowed at reduced power. Specifically, the output power should be derated linearly from full power at 125 °C to half power at 130 °C and to zero power at 135 °C. The operating temperature of the converter is specified on the baseplate of the converter. The converter is designed to be conduction-cooled, with the baseplate mounted to a heat sink, chassis, PCB or other thermal surface. The internal power dissipating components are mounted to the baseplate of the converter and all heat flow is through the baseplate and mounting flanges. The lid of the converter does not provide a good thermal path.

The hybrid DC-DC converter contains many semiconductor components. The maximum temperature rise from junction to case is 5 °C at full load.

6.5 RADIATION HARDNESS ASSURANCE

VPT takes a conservative approach to radiation testing to ensure product performance in a space environment. VPT's DLA-approved Radiation Hardness Assurance (RHA) plan documents VPT's processes and procedures for guaranteeing the performance of VPT products under various environmental conditions in space including Total Ionizing Dose (TID) and Single-Event Effects (SEE). Additionally, Enhanced Low Dose-Rate Sensitivity (ELDRS) effects are considered for all bipolar ICs used in the hybrid. Hardness is guaranteed by a combination of both hybrid-level characterization and Radiation Lot Acceptance Testing (RLAT) of all sensitive semiconductor piece-parts used within the hybrid.

6.5.1 Radiation Test and Performance Levels

Radiation Environment		Piece Part RLAT	Hybrid-Level Characterization
Total Ionizing Dose (TID)	High Dose Rate (HDR)	100 krad(Si)	100 krad(Si)
	Low Dose Rate (LDR)	100 krad(Si)	100 krad(Si)
Single-Event Effects (SEE)	Destructive (SEB, SEGR, SEL)	Not applicable	$\geq 85 \text{ MeV/mg/cm}^2$
	² Non-Destructive (SET, SEU, SEFI)	Not applicable	$\geq 85 \text{ MeV/mg/cm}^2$

1. Piece-part LDR screening performed only on potentially ELDRS parts (bipolar ICs).
2. The PWM IC used in this part is susceptible to a non-destructive SEFI/SEL event with threshold LET $\geq 42 \text{ MeV/mg/cm}^2$. The SEFI manifests as a shutdown for up to 1 second followed by a controlled soft-start of the converter. The non-destructive SEL manifests itself as a shutdown requiring user intervention to recover by cycling either the input power or the inhibit function. At the worst-case 125 °C and 85 MeV/mg/cm², the cross-section of these events is $3.18 \times 10^{-6} \text{ cm}^2$. Full details available in the Radiation Test Report.

6.5.2 RHA Plan Summary

Test	RHA Plan for SVR Series Isolated DC-DC Converters
Total Ionizing Dose (TID):	Sensitive semiconductor components undergo RLAT to 100 krad(Si) per MIL-STD-883 Method 1019. Converters are characterized to 100 krad(Si).
Enhanced Low Dose Rate Sensitivity (ELDRS):	All bipolar linear ICs are characterized for ELDRS and tested in accordance with MIL-STD-883 test method 1019 section 3.13
Single Event Effects (SEE):	Converters are characterized to LET $\geq 85 \text{ MeV/mg/cm}^2$ for both catastrophic events (SEL, SEB, SEGR) and functional interrupts (SEFI) under heavy ion exposure. Converters are also characterized for cross-section and magnitude of output transients (SET) for at least 3 different LET levels.
Radiation Lot Acceptance Testing (RLAT):	All production lots of sensitive semiconductor components undergo RLAT for TID at HDR and/or LDR as appropriate per part type.

6.5.3 RHA Designators available on SMD

The SVRCH2800S series converters are available on SMD with RHA level R. See section 8.0 for full SMD number information.

6.5.4 Supporting Documentation Available (Contact Sales)

- Radiation Hardness Assurance Plan: DLA-approved RHA plan covering TID, SEE, and ELDRS
- Worst-Case Analysis Report: Detailed worst-case analysis including electrical stress/derating limits and guaranteed circuit performance post-radiation and end of life
- Radiation Test Summary Report: Overview of piece-part RLAT and hybrid characterization for all guaranteed environments. Also includes SEE cross-section data.
- Reliability Report: MTBF report based on MIL-HDBK-217 reliability calculations.
- Thermal Analysis Report: Component temperature rise analysis and measurement results.

7.0 ENVIRONMENTAL SCREENING

100% tested per MIL-STD-883 as referenced to MIL-PRF-38534.

Contact sales for more information concerning additional environmental screening and testing options. VPT Inc. reserves the right to ship higher screened or SMD products to meet orders for lower screening levels at our sole discretion unless specifically forbidden by customer contract.

Test	MIL-STD-883 Test Method, Condition	/H+ (Class H + PIND)	/K (Class K)	/EM (Engineering Model) Non-QML ^{1,6}
Non-Destructive Bond Pull	TM2023	• ²	•	• ²
Internal Visual	TM2010, TM2017, TM2032 (MIL-STD-750, TM2072, TM2073)	•	•	•
Temperature Cycling	TM1010, Condition C -65 °C to 150 °C, Ambient	•	•	
Constant Acceleration	TM2001, 3000g, Y1 Direction	•	•	
PIND ³	TM2020, Condition A	• ²	•	
Pre Burn-In Electrical	25 °C		•	
Burn-In	TM1015, 320 hrs., 125 °C, Case Typ		•	
	TM1015, 160 hrs., 125 °C, Case Typ	•		
Final Electrical	24 hrs., 125 °C, Case Typ			•
	MIL-PRF-38534, Group A Subgroups 1-6 -55 °C, 25 °C, 125 °C ⁴	•	•	
Hermeticity (Seal)	MIL-PRF-38534, Group A Subgroups 1 and 4 25 °C			•
	TM1014, Fine Leak, Condition A2 or B1	•	•	
Radiography ⁵	TM1014, Gross Leak, Condition C or B2	•	•	
	Gross Leak, Dip (1x10 ⁻³)			•
External Visual	TM2009	•	•	•

1. Non-QML products may not meet all requirements of MIL-PRF-38534
2. Not required per MIL-PRF-38534. Test performed for additional product quality assurance
3. PIND test Certificate of Compliance included in product shipment

4. 100% R&R testing with all test data included in product shipment
5. Radiographic test Certificate of Compliance and film(s) or data CD included in product shipment
6. Engineering models utilize only the screening specified and are not considered compliant for flight use

8.0 STANDARD MICROCIRCUIT DRAWING (SMD) NUMBERS

Standard Microcircuit Drawing Number	SVRCH2800S Series Similar Part Number
TBD	SVRCH283R3S/H+ SVRCH283R3S/H+-E SVRCH283R3SF/H+ SVRCH283R3SF/H+-E SVRCH283R3S/K SVRCH283R3S/K-E SVRCH283R3SF/K SVRCH283R3SF/K-E
TBD	SVRCH2805S/H+ SVRCH2805S/H+-E SVRCH2805SF/H+ SVRCH2805SF/H+-E SVRCH2805S/K SVRCH2805S/K-E SVRCH2805SF/K SVRCH2805SF/K-E
TBD	SVRCH2812S/H+ SVRCH2812S/H+-E SVRCH2812SF/H+ SVRCH2812SF/H+-E SVRCH2812S/K SVRCH2812S/K-E SVRCH2812SF/K SVRCH2812SF/K-E
TBD	SVRCH2815S/H+ SVRCH2815S/H+-E SVRCH2815SF/H+ SVRCH2815SF/H+-E SVRCH2815S/K SVRCH2815S/K-E SVRCH2815SF/K SVRCH2815SF/K-E

Do not use the SVRCH2800S Series similar part number for SMD product acquisition. It is listed for reference only. For exact specifications for the SMD product, refer to the SMD drawing. SMDs can be downloaded from the DLA Land and Maritime (Previously known as DSCC) website at <http://www.dsccl.dla.mil/programs/smcr/>. The SMD number listed above represents the Federal Stock Class, Device Type, Device Class Designator, Case Outline, Lead Finish and RHA Designator (where applicable). Please reference the SMD for other screening levels, lead finishes, and radiation levels. All SMD products are marked with a "Q" on the cover as specified by the QML certification mark requirement of MIL-PRF-38534.

9.0 ORDERING INFORMATION

SVRCH	28	05	S	/K	-	XXX
1	2	3	4	5		6

(1) Product Series	(2) Nominal Input Voltage	(3) Output Voltage	(4) Number of Outputs	(5) Screening Code ^{1,2,3}	(6) Additional Screening Code
SVRCH	28 28 Volts	3R3 3.3 Volts 05 5 Volts 12 12 Volts 15 15 Volts	S Single	/EM Engineering Model /H+ Class H + PIND /K Class K	Contact Sales

- 1 Contact the VPT Sales Department for availability of Class H (/H) or Class K (/K) qualified products
- 2 VPT Inc. reserves the right to ship higher screened or SMD products to meet lower screened orders at our sole discretion unless specifically forbidden by customer contract
- 3 Engineering models utilize only the standard screening specified and are not considered compliant for flight use. These models are intended for low volume engineering characterization only and have no guarantee regarding operation in a radiation environment. The customer must place the following statement on each line item of their purchase order(s) for /EM units when ordering engineering models:

"(Customer Name) acknowledges that the /EM unit listed in this line item is not permitted for flight use and will be used for Engineering characterization only."

Please contact your sales representative or the VPT Inc. Sales Department for more information concerning additional environmental screening and testing, different input voltage, output voltage, power requirements, source inspection, and/or special element evaluation for space or other higher quality applications.

10.0 CONTACT INFORMATION

To request a quotation or place orders please contact your sales representative or the VPT, Inc. Sales Department at:

Phone: (425) 353-3010
Fax: (425) 353-4030
E-mail: vptsales@vptpower.com

All information contained in this datasheet is believed to be accurate, however, no responsibility is assumed for possible errors or omissions. The products or specifications contained herein are subject to change without notice.

11.0 ADDITIONAL INFORMATION

Visit the VPT website for additional technical resources, including:

[Product Catalogs](#)



[Application Notes and White Papers](#)



[Technical Video Labs](#)



[Additional Products For Avionics/Military, Hi-Rel COTS, and Space Applications](#)

