



VXR7-2800S SERIES

HIGH RELIABILITY COTS DC-DC CONVERTERS



Models Available

Input: 9 V to 60 V continuous, 6 V to 100 V transient
7 W, single output of 3.3 V, 5 V, 12 V, 15 V
-55 °C to 105 °C Operation

1.0 DESCRIPTION

The VXR series of isolated DC-DC converters is the latest and most advanced offering in VPT's extensive line of high reliability COTS products. Building on a proven design heritage, the VXR series features high efficiency, an ultra-wide input voltage range, and next-generation packaging. Providing a wide 9 V to 60 V input, along with VPT's standard full feature set and industry-leading performance, the VXR family is optimized for a broad range of applications from military ground vehicles to commercial and military aircraft.

The VXR7 utilizes a low noise, fixed frequency, wide input voltage range topology with extended high and low input transient capability to simplify overall power system design and compliance. Precision controlled synchronous rectification achieves high efficiency over a wide input range, reducing power dissipation and minimizing external heatsink requirements. A proprietary control loop design provides fast transient response without the use of optoisolators.

The VXR Series patent-pending epoxy-encapsulated V-SHIELD® packaging is highly resistant to chemical, solvent and salt environments and is fully compatible with high volume manufacturing processes including wave solder, cleaning solvents, high pressure sprays and aqueous wash processes. A unique integral six-sided metalized shield improves system EMI compatibility. Dual sided conduction cooling coupled with reduced power dissipation simplifies system thermal design.

The VXR series is intended for harsh environments including severe vibration, shock and temperature cycling. Testing is to JESD22, MIL-STD-810, and MIL-STD-883.

1.1 FEATURES

- Wide input voltage range: 9 V to 60 V
- 6 V to 80 V transient for 1 second, 100 V for 200 milliseconds
- High Efficiency up to 82%
- Rugged Epoxy Encapsulated V-SHIELD® Package
- Fully compatible with aqueous cleaning processes
- Integral Six-sided Metalized EMI shield
- Dual-Sided Thermal Conduction
- 2000 V Isolation
- Fixed frequency
- Low noise
- Output Current Limit Protection
- Short Circuit Protection

1.2 COMPLIANCE

- MIL-STD-1275 A-E
- RTCA / DO-160-Section 16
- MIL-STD-704 A-F
- MIL-STD-461 C-G when used with an appropriate VXR EMI filter
- RTCA / DO-160-section 18 and 21 when used with an appropriate VXR EMI filter

1.3 PACKAGING

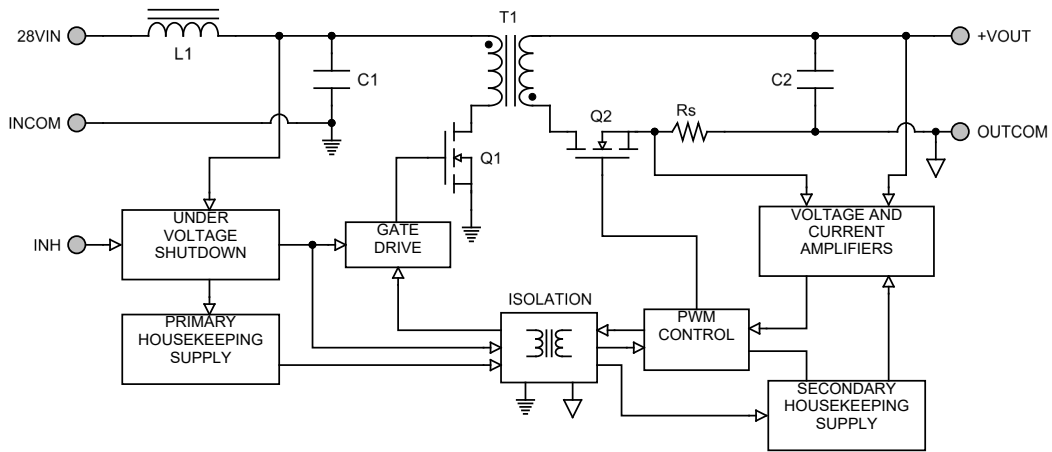
- Low-profile: 1.100" x 1.100" x 0.350"
- Max weight: 23 g

1.4 SIMILAR PRODUCTS AND ACCESSORIES

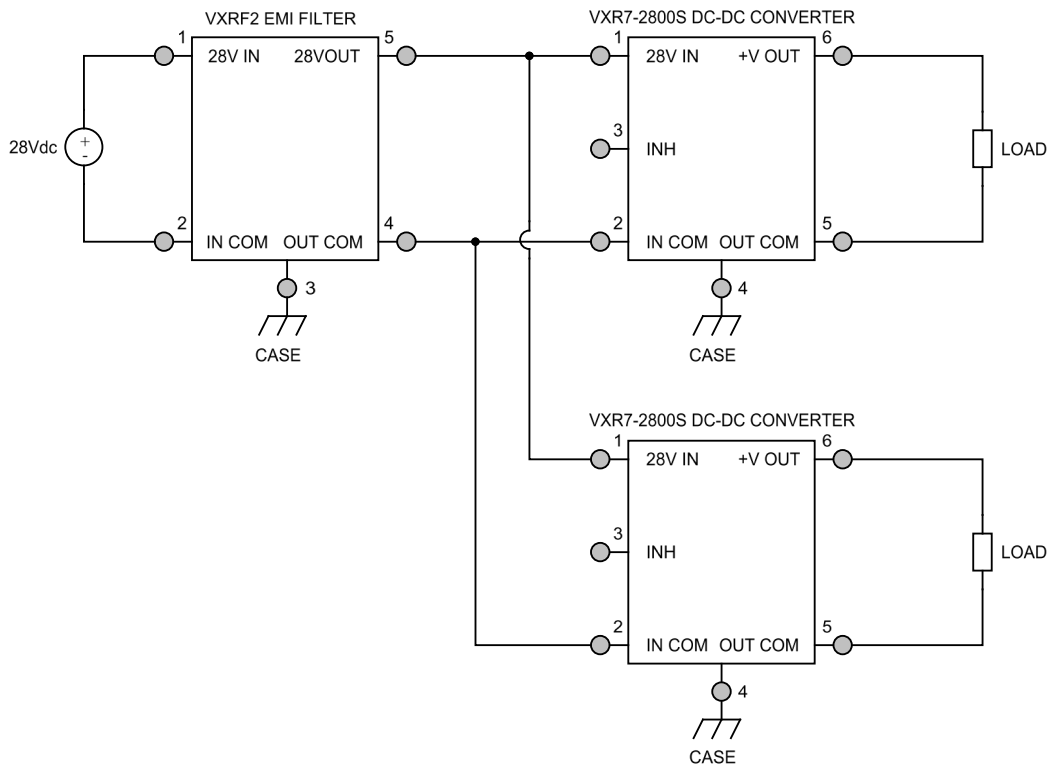
- [DVSA](#) 5 W single output Military Qualified DC-DC Converter
- [VPT5](#) 5 W single output metal package COTS DC-DC Converter
- [EMI filters, Thermal Pads, Front-End Modules and Accessories](#)

2.0 DESCRIPTION

2.1 BLOCK DIAGRAM



2.2 CONNECTION DIAGRAM



3.0 SPECIFICATIONS

3.1 ABSOLUTE MAXIMUM RATINGS

Absolute Maximum Ratings			
Input Voltage (Continuous):	60 V	Operating Temperature (Full Load):	-55 °C to + 105 °C
Input Voltage (Transient, 1 second):	80 V	Storage Temperature:	-55 °C to + 125 °C
Input Voltage (Transient, 200 ms):	100 V	Lead Solder Temperature (10 seconds):	300 °C

3.2 PERFORMANCE SPECIFICATIONS

Tcase = -55 °C to +105 °C, Vin = +28 V ± 5%, Full Load, Unless Otherwise Specified

Parameter	Conditions	VXR7-283R3S			VXR7-2805S			Units
		Min	Typ	Max	Min	Typ	Max	
INPUT								
Voltage	Continuous	9	28	60	9	28	60	V
	Transient, 1 sec ³	6	-	80	6	-	80	V
	Transient ³ , 200 ms	-	-	100	-	-	100	V
Current	INH < 1.5 V	-	3	6	-	3	6	mA
	No Load	-	55	75	-	55	75	mA
Ripple Current	20 Hz to 10 MHz	-	20	35	-	20	35	mApp
Undervoltage Lockout	Turn-On	-	-	8.9	-	-	8.9	V
	Turn-Off ³	-	-	5.9	-	-	5.9	V
OUTPUT STATIC								
Voltage	+Vout, Tcase = 25 °C	3.25	3.3	3.35	4.92	5	5.08	V
	+Vout, Tcase = -55 °C to +105 °C	3.22	3.3	3.38	4.87	5	5.13	V
Power ²		0	-	7	0	-	7	W
Current ²		0	-	2.12	0	-	1.4	A
Ripple Voltage	20 Hz to 10 MHz	-	70	100	-	60	85	mVpp
Line Regulation	VIN = 9 V to 60 V	-	1	10	-	1	10	mV
Load Regulation	No Load to Full Load	-	1	10	-	1	10	mV
Load Fault Power Dissipation	Overload ³	-	2	4	-	2	4	W
	Short Circuit	-	1.7	3.5	-	1.5	3	W
OUTPUT DYNAMIC								
Load Step, Half to Full Load	Output Transient	-	90	160	-	60	120	mVpk
	Recovery ¹	-	140	250	-	75	190	µs
Line Step ³ , Vin = 16 V to 40 V	Output Transient	-	35	70	-	35	70	mVpk
	Recovery ¹	-	20	50	-	20	50	µs
Turn-On, Vin = 0 to 28 V	Delay	-	5	10	-	5	10	ms
	Overshoot	-	0	15	-	0	25	mVpk
FUNCTION								
INH Pin Input ³	Output Inhibited	0	-	1.5	0	-	1.5	V
INH Pin Open Circuit Voltage ³	Output Enabled	-	2.5	5	-	2.5	5	V
GENERAL								
Efficiency		69	74	-	70	75	-	%
Capacitive Load ³		-	-	2000	-	-	2000	µF
Switching Frequency		500	550	600	500	550	600	kHz
Isolation	2000 V DC, Tcase = 25 °C	100	-	-	100	-	-	MΩ
Weight		-	-	23	-	-	23	g
MTBF (MIL-HDBK-217F)	GM @ Tcase = 55 °C	-	1.32	-	-	1.32	-	MHr

1. Time for output voltage to settle within 1% of steady-state value.

2. Derate linearly to 0 at 115 °C.

3. Verified by initial electrical design verification. Post design verification, parameter shall be guaranteed to the limits specified.

3.2 PERFORMANCE SPECIFICATIONS (CONTINUED)

Tcase = -55 °C to +105 °C, Vin = +28 V ± 5%, Full Load, Unless Otherwise Specified

Parameter	Conditions	VXR7-2812S			VXR7-2815S			Units
		Min	Typ	Max	Min	Typ	Max	
INPUT								
Voltage	Continuous	9	28	60	9	28	60	V
	Transient, 1 sec ³	6	-	80	6	-	80	V
	Transient ³ , 200 ms	-	-	100	-	-	100	V
Current	INH < 1.5 V	-	3	6	-	3	6	mA
	No Load	-	65	100	-	65	100	mA
Ripple Current	20 Hz to 10 MHz	-	35	55	-	35	55	mApp
Undervoltage Lockout	Turn-On	-	-	8.9	-	-	8.9	V
	Turn-Off ³	-	-	5.9	-	-	5.9	V
OUTPUT STATIC								
Voltage	+Vout, Tcase = 25 °C	11.82	12	12.18	14.77	15	15.23	V
	+Vout, Tcase = -55 °C to +105 °C	11.7	12	12.3	14.62	15	15.38	V
Power ²		0	-	7	0	-	7	W
Current ²		0	-	0.58	0	-	0.46	A
Ripple Voltage	20 Hz to 10 MHz	-	20	50	-	20	50	mVpp
Line Regulation	V _{IN} = 9 V to 60 V	-	1	10	-	1	10	mV
Load Regulation	No Load to Full Load	-	1	10	-	1	10	mV
Load Fault Power Dissipation	Overload ³	-	2.5	5	-	2.5	5	W
	Short Circuit	-	2	4	-	2	4	W
OUTPUT DYNAMIC								
Load Step, Half to Full Load	Output Transient	-	130	275	-	115	250	mVpk
	Recovery ¹	-	40	100	-	0	75	µs
Line Step ³ , Vin = 16 V to 40 V	Output Transient	-	130	300	-	200	400	mVpk
	Recovery ¹	-	20	40	-	20	40	µs
Turn-On, Vin = 0 to 28 V	Delay	-	5	10	-	5	10	ms
	Overshoot	-	0	50	-	0	50	mVpk
FUNCTION								
INH Pin Input ³	Output Inhibited	0	-	1.5	0	-	1.5	V
INH Pin Open Circuit Voltage ³	Output Enabled	-	2.5	5	-	2.5	5	V
GENERAL								
Efficiency		70	75	-	70	75	-	%
Capacitive Load ³		-	-	1000	-	-	1000	µF
Switching Frequency		500	550	600	500	550	600	kHz
Isolation	2000 V DC, Tcase = 25 °C	100	-	-	100	-	-	MΩ
Weight		-	-	23	-	-	23	g
MTBF (MIL-HDBK-217F)	GM @ Tcase = 55 °C	-	1.32	-	-	1.32	-	MHr

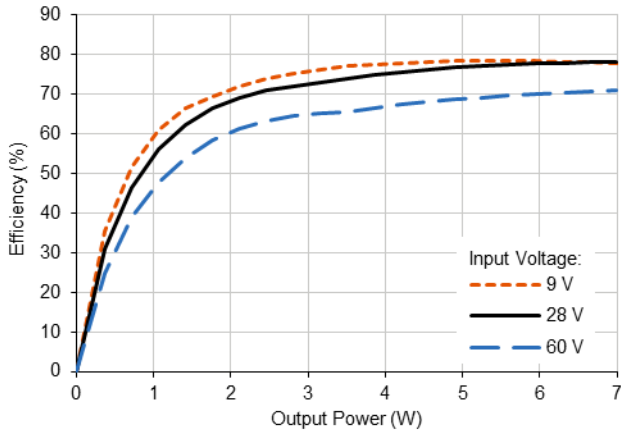
1. Time for output voltage to settle within 1% of steady-state value.

2. Derate linearly to 0 at 115 °C.

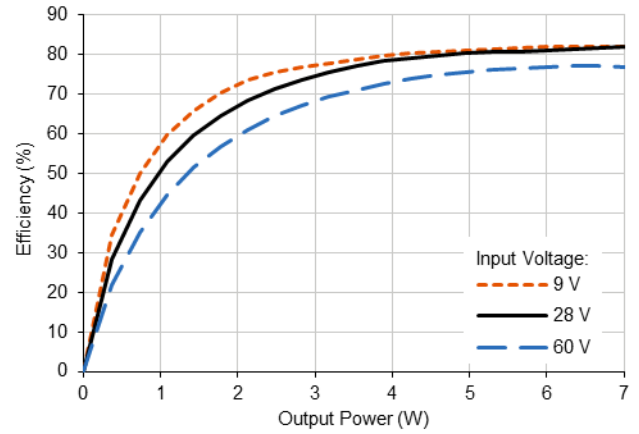
3. Verified by initial electrical design verification. Post design verification, parameter shall be guaranteed to the limits specified.

4.0 PERFORMANCE CURVES

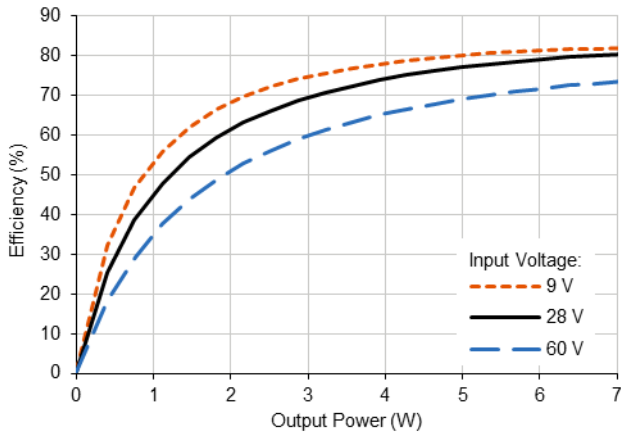
4.1.1 VXR7-283R3S Efficiency (Typical, 25 °C)



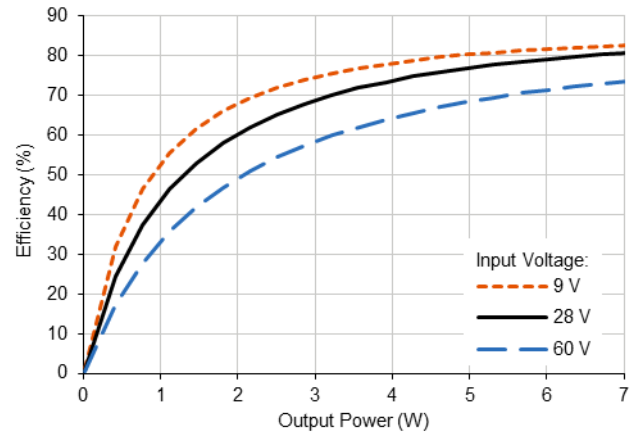
4.1.2 VXR7-2805S Efficiency (Typical, 25 °C)



4.1.3 VXR7-2812S Efficiency (Typical, 25 °C)

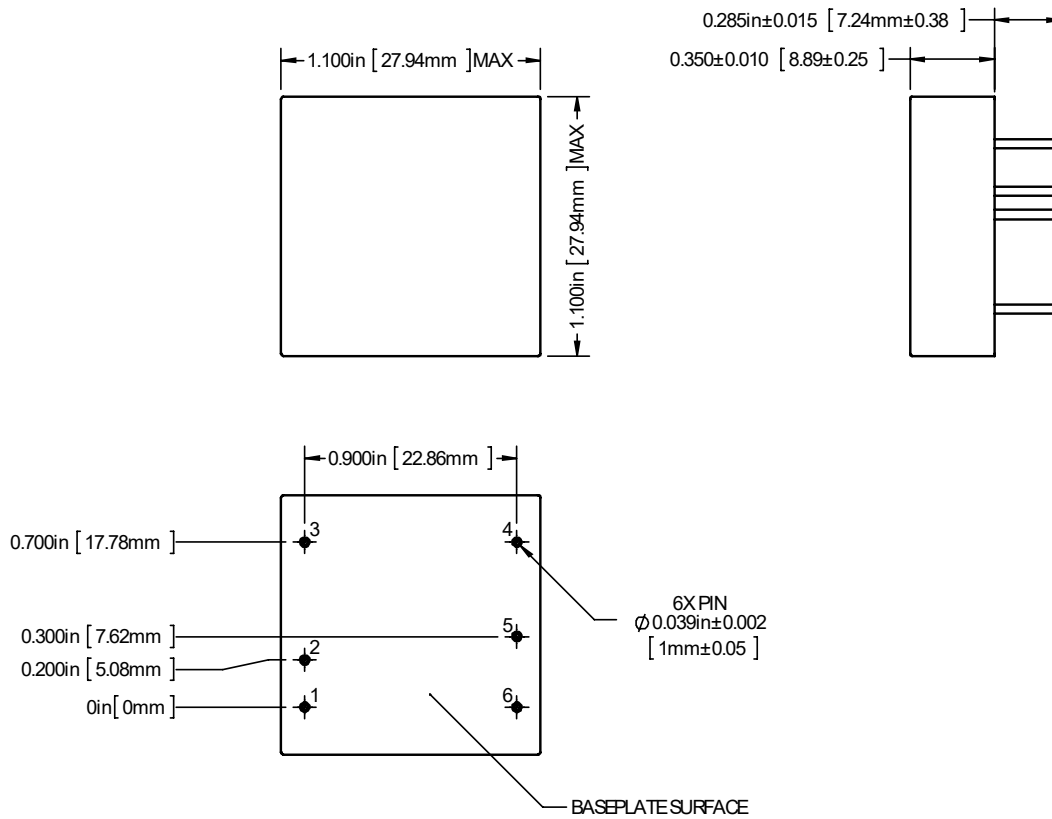


4.1.4 VXR7-2815S Efficiency (Typical, 25 °C)



5.0 MECHANICAL OUTLINES AND PINOUT

Standard Package:



1. Tolerances are $\pm 0.005''$ unless otherwise stated
2. Case temperature is measured on the center of the baseplate surface
3. Materials: Body (Epoxy with integral metalized EMI shield); Pin (Tellurium Copper, alloy 145, gold over nickel plating)

Pin	Function	Pin	Function
1	28VIN	4	CASE
2	INCOM	5	OUTCOM
3	INH	6	+VOUT

6.0 TECHNICAL NOTES



Please note that many of these functions are also demonstrated in detail on the VPT website in the form of [technical video labs](#).



6.1 GENERAL INFORMATION

6.1.1 Topology Description

The VXR7-2800S Series is an isolated single-output flyback DC-DC converter. The fixed frequency synchronous rectified flyback topology provides high efficiency over a wide input voltage range. Proprietary secondary-side feedback control provides a tightly regulated positive output voltage with fast transient response while eliminating analog feedback isolation.

6.1.2 External Components

The VXR7-2800S Series is designed to operate stand-alone and does not require external components for proper operation in meeting the datasheet specifications. Input and output L-C filters are provided internally for low ripple and noise. To further reduce output ripple and noise for more sensitive applications, a small ceramic capacitor, 1 μF to 10 μF , can be added to the output. Most application specific ripple requirements can be met with the addition of output capacitors alone. External output capacitance can be added up to the maximum listed in Section 3.2.

6.1.3 Source Impedance

The impedance of the 28 V input source can interact with the DC-DC converter and may affect performance. High source impedance is often caused by a long input cable or components added in series with the input. Source resistance will cause a DC voltage drop as the converter draws DC input current. This voltage drop is determined by multiplying the cable resistance by the input current at low line. The voltage drop and the actual voltage at the input to the converter will determine the minimum source voltage at which the converter will operate. A high source inductance can interact with the feedback control loop of the converter. VPT's EMI filters will typically isolate the source and eliminate this problem. In some cases, additional input capacitance may be needed to stabilize the system.

6.1.4 Output Configurations

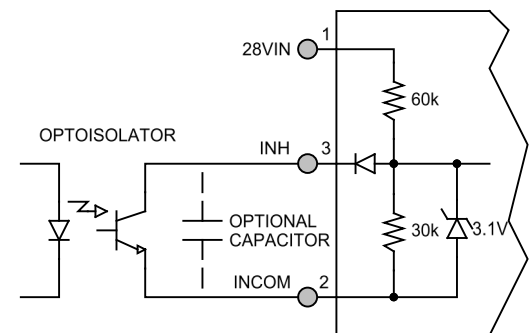
Since the converter is isolated, the output can be configured as a positive or negative voltage. For example, the VXR7-2812S can provide +12 V DC referenced to OUTCOM or -12 V DC referenced to +VOUT.

The outputs of multiple converters can be stacked in series to provide higher voltages. When outputs of multiple modules are stacked, they naturally share the load. For example, two VXR7-2812S converters can be stacked to provide a 24 V DC output at 14 W.

6.2 FUNCTION DESCRIPTIONS

6.2.1 On/Off Control (Inhibit)

The INH (Inhibit) pin is a primary-side control pin referenced to INCOM. The INH pin must be driven using an open collector or open drain configuration. Pulling the INH pin low disables the converter output, removes bias voltage from internal control circuitry, and puts the converter in a state of minimum input current draw. Leaving INH open enables the output, allowing the converter to operate normally. The pin must be pulled below 1.5 V to disable the output. An optional capacitor from INH to INCOM may be used to delay turn-on. The INH pin should be left open if not used.



6.3 PROTECTION FEATURES

6.3.1 Input Undervoltage Lockout

The VXR7-2800S Series provides input undervoltage lockout protection. For input voltages below the turn-on voltage, the converter will remain off, drawing minimal current from the source. When the input voltage exceeds the turn-on voltage, the converter will start. The lockout circuit is designed to accept slow ramping input voltage waveforms. The VXR7-2800S circuit provides bias voltage to all secondary control circuits and control amplifiers before the output starts, ensuring a well-controlled start up sequence.

6.3.2 Output Soft Start

The VXR7-2800S Series utilizes an output soft-start function to ramp the output in a controlled manner, eliminating output voltage overshoot and limiting inrush current at turn on. A voltage-mode soft-start ensures the output waveform remains consistent regardless of changes in the load current. The output rise time is approximately 4 ms. The soft-start function is active whether the module is turned on with an application of input voltage or from release of the inhibit pin. Under normal conditions, current drawn from the source during turn-on will not exceed the full-load input current. The turn-on delay time is specified from the application of input voltage (or release of the inhibit pin) until the output reaches 90% of its final value.

6.3.3 Output Overcurrent Protection

The VXR7-2800S Series provides output overcurrent and output short circuit protection. During a load fault condition, a constant output current control circuit reduces the converter duty cycle to limit the output current to approximately 130% of its rated value. The converter will continue to provide constant current into any overload or short circuit condition. This feature allows the converter to start into any capacitive load. Recovery is automatic and immediate upon removal of the fault condition. Sustained short circuit or overload operation can cause excessive power dissipation. Care should be taken to control the operating temperature of the converter in this condition.

6.4 PACKAGE

6.4.1 Package Description

The VXR7-2800S is constructed with an epoxy encapsulated V-SHIELD® package that includes integral metallization for enhanced EMI shielding. The ruggedized package is highly resistant to chemical, solvent and salt environments and is fully compatible with high volume manufacturing processes including wave solder, cleaning solvents, high pressure sprays and aqueous wash processes. The encapsulated converter allows for superior shock and vibration performance in a low-weight package.

6.4.2 Thermal Performance

The VXR7-2800S Series is rated for full power operation at 105 °C. Operation above 105 °C is allowed at reduced power. Specifically, the output power should be derated linearly from full power at 105 °C to half power at 110 °C and to zero power at 115 °C. The operating temperature of the converter is specified on the baseplate or top plate of the converter. The converter is designed to be conduction-cooled, with either the baseplate or top plate mounted to a heat sink, chassis, PCB or other thermal surface.

The DC-DC converter contains many semiconductor components. The maximum temperature rise from junction to case is 10 °C at full load.



7.0 ENVIRONMENTAL SCREENING

Test	Condition
Internal Visual	IPC-A-610, Class 3
Temperature Cycling	MIL-STD-883, Method 1010, Condition B, -55°C to +125°C, 10 Cycles
Burn In	96 hours at +105°C
Final Electrical	100% at 25°C
External Visual	Internal Procedure

8.0 ORDERING INFORMATION

VXR7-	28	05	S
1	2	3	4

(1) Product Series	(2) Nominal Input Voltage	(3) Output Voltage	(4) Number of Outputs
VXR7-	28 28 Volts	3R3 3.3 Volts 05 05 Volts 12 12 Volts 15 15 Volts	S Single

Please contact your sales representative or the VPT Inc. Sales Department for more information concerning additional environmental screening and testing, different input voltage, output voltage, power requirements, and source inspection.

9.0 CONTACT INFORMATION

To request a quotation or place orders please contact your sales representative or the VPT, Inc. Sales Department at:

Phone: (425) 353-3010
Fax: (425) 353-4030
E-mail: vptsales@vptpower.com

All information contained in this datasheet is believed to be accurate, however, no responsibility is assumed for possible errors or omissions. The products or specifications contained herein are subject to change without notice. VPT, its logo and tagline are registered trademarks in the U.S. Patent and Trademark Office.

10.0 ADDITIONAL INFORMATION

Visit the [VPT website](http://www.vptpower.com) for additional technical resources, including:

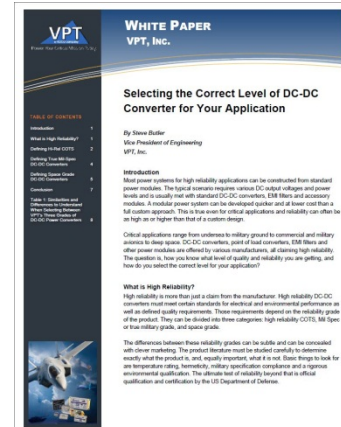
[Product Catalogs](#)



[Technical Video Labs](#)



[Application Notes and White Papers](#)



Additional Products For [Avionics/Military](#), [Hi-Rel COTS](#), and [Space Applications](#)

