



# DVEHF2800T Series

## HIGH RELIABILITY HYBRID DC-DC CONVERTERS WITH INTEGRAL EMI FILTER

### DESCRIPTION

The DVEHF series of high reliability DC-DC converters is operable over the full military (-55 °C to +125 °C) temperature range with no power derating. Unique to the DVEHF series are robust and effective input and output filters which provide dramatically reduced input and output noise performance when compared to other manufacturers competing devices. Operating at a nominal fixed frequency of 450 kHz, these regulated, isolated units utilize a high speed magnetic feedback design and well controlled undervoltage lockout circuitry to eliminate slow start-up problems.

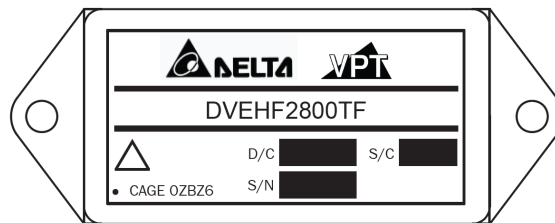
These converters are designed and manufactured in a facility qualified to ISO9001 and certified to MIL-PRF-38534 and MIL-STD-883.

This product may incorporate one or more of the following U.S. patents:

5,784,266  
5,790,389  
5,963,438  
5,999,433  
6,005,780  
6,084,792  
6,118,673

### FEATURES

- High Reliability
- Very Low Output Noise
- Wide Input Voltage Range: 15 to 50 Volts per MIL-STD-704
- Up to 10 Watts Output Power
- Fault Tolerant Magnetic Feedback Circuit
- NO Use of Optoisolators
- Undervoltage Lockout
- Indefinite Short Circuit Protection
- Current Limit Protection
- Industry Standard Pinout
- High Input Transient Voltage: 80 Volts for 1 sec per MIL-STD-704A
- Precision Seam Seal Hermetic Package
- Custom Versions Available
- Additional Environmental Screening Available
- No External EMI Filter Required
- Meets MIL-STD-461C and MIL-STD-461D EMC Requirements
- Protects Against Conducted Susceptibility Specified in MIL-STD-461C, SC01 and CS02
- Non-flanged Version Available
- MIL-PRF-38534 Element Evaluated Components



**Figure 1** – DVEHF2800T/DVEHF2800TF DC-DC Converter  
(Exact marking may differ from that shown)

## SPECIFICATIONS (T<sub>CASE</sub> = -55°C to +125°C, V<sub>IN</sub> = +28V ± 5%, Full Load<sup>5</sup>, Unless Otherwise Specified)

### ABSOLUTE MAXIMUM RATINGS

Input Voltage (Continuous)	50 V <sub>DC</sub>	Junction Temperature Rise to Case	+15°C
Input Voltage (Transient, 1 second)	80 Volts	Storage Temperature	-65°C to +150°C
Output Power	10 Watts	Lead Solder Temperature (10 seconds)	270°C
Power Dissipation (Full Load, T <sub>CASE</sub> = +125°C)	5.0 Watts	Weight (Maximum)	50 Grams

Parameter	Conditions	DVEHF28512T			DVEHF28515T			Units	
		Min	Typ	Max	Min	Typ	Max		
<b>STATIC</b>									
INPUT Voltage	Continuous	15	28	50	15	28	50	V	
	Transient, 1 sec <sup>4</sup>	-	-	80	-	-	80	V	
Current	Inhibited	-	3.5	6.0	-	3.5	6.0	mA	
	No Load	-	-	70	-	-	70	mA	
Inhibit Pin Input <sup>4</sup>		0	-	1.5	0	-	1.5	V	
Inhibit Pin Open Circuit Voltage <sup>4</sup>		9.0	11.0	13.0	9.0	11.0	13.0	V	
UVLO Turn On		8.0	-	12.0	8.0	-	12.0	V	
UVLO Turn Off <sup>4</sup>		4.0	-	8.0	4.0	-	8.0	V	
OUTPUT Voltage	V <sub>MAIN</sub> ±V <sub>AUX</sub>	T <sub>CASE</sub> = 25°C	4.95	5.0	5.05	4.95	5.0	5.05	V
			11.88	12.0	12.12	14.85	15.0	15.15	V
	V <sub>MAIN</sub> ±V <sub>AUX</sub>	T <sub>CASE</sub> = -55°C to +125°C	4.925	5.0	5.075	4.925	5.0	5.075	V
			11.4	12.0	12.6	14.25	15.0	15.75	V
Power <sup>4</sup>	Total	0	-	10	0	-	10	W	
	V <sub>MAIN</sub>	0.15	-	5.0	0.15	-	5.0	W	
	±V <sub>AUX</sub> <sup>6</sup>	0	-	3.5	0	-	3.5	W	
Current <sup>3</sup>	V <sub>MAIN</sub>	0	-	1.0	0	-	1.0	A	
	±V <sub>AUX</sub>	0	-	0.29	0	-	0.23	A	
Ripple Voltage	V <sub>MAIN</sub> ±V <sub>AUX</sub>	Full Load <sup>5</sup> , 20Hz to 10MHz	-	15	50	-	15	50	mV <sub>p-p</sub>
			-	15	50	-	15	50	mV <sub>p-p</sub>
Line Regulation	V <sub>MAIN</sub> ±V <sub>AUX</sub>	V <sub>IN</sub> = 15V to 50V	-	10	20	-	10	20	mV
			-	15	50	-	15	50	mV
Load Regulation <sup>7</sup>	V <sub>MAIN</sub> ±V <sub>AUX</sub>	No Load to Full Load <sup>5</sup>	-	5	20	-	5	20	mV
			-	10	50	-	10	50	mV
Cross Regulation	±V <sub>AUX</sub>	+V <sub>OUT</sub> = 30%, -V <sub>OUT</sub> = 70% +V <sub>OUT</sub> = 70%, -V <sub>OUT</sub> = 30%	-	-	50	-	-	50	mV
EFFICIENCY		Full Load <sup>5</sup>	67	72	-	67	72	-	%
LOAD FAULT POWER DISSIPATION		Overload <sup>4</sup>	-	-	7.5	-	-	7.5	W
		Short Circuit	-	-	7.5	-	-	7.5	W
CAPACITIVE LOAD <sup>4</sup>			-	-	500	-	-	500	μF
SWITCHING FREQUENCY			350	450	550	350	450	550	kHz
ISOLATION		500 V <sub>DC</sub> , T <sub>CASE</sub> = 25°C	100	-	-	100	-	-	MΩ
MTBF (MIL-HDBK-217F)		AIF @ T <sub>C</sub> = 55°C	-	350	-	-	350	-	kHrs

## SPECIFICATIONS (T<sub>CASE</sub> = -55°C to +125°C, V<sub>IN</sub> = +28V ± 5%, Full Load<sup>5</sup>, Unless Otherwise Specified)

### ABSOLUTE MAXIMUM RATINGS

Input Voltage (Continuous)	50 V <sub>DC</sub>	Junction Temperature Rise to Case	+15°C
Input Voltage (Transient, 1 second)	80 Volts	Storage Temperature	-65°C to +150°C
Output Power	10 Watts	Lead Solder Temperature (10 seconds)	270°C
Power Dissipation (Full Load, T <sub>CASE</sub> = +125°C)	5.0 Watts	Weight (Maximum)	50 Grams

Parameter	Conditions	DVEHF28512T			DVEHF28515T			Units	
		Min	Typ	Max	Min	Typ	Max		
<b>DYNAMIC</b>									
Load Step Output Transient	V <sub>MAIN</sub>	Half Load to Full Load	-	200	500	-	200	500	mV <sub>PK</sub>
	±V <sub>AUX</sub>		-	100	400	-	100	400	mV <sub>PK</sub>
Load Step Recovery <sup>2</sup>	V <sub>MAIN</sub>		-	200	500	-	200	500	μSec
	±V <sub>AUX</sub>		-	200	500	-	200	500	μSec
Line Step Output Transient <sup>4</sup>	V <sub>MAIN</sub>	V <sub>IN</sub> = 16V to 40V	-	200	600	-	200	600	mV <sub>PK</sub>
	±V <sub>AUX</sub>		-	50	100	-	50	100	mV <sub>PK</sub>
Line Step Recovery <sup>2, 4</sup>	V <sub>MAIN</sub>		-	200	500	-	200	500	μSec
	±V <sub>AUX</sub>		-	200	500	-	200	500	μSec
Turn On Delay			-	25	35	-	25	35	mSec
Turn On Overshoot	V <sub>MAIN</sub>	V <sub>IN</sub> = 0V to 28V	-	-	25	-	-	25	mV <sub>PK</sub>
	±V <sub>AUX</sub>		-	-	50	-	-	50	mV <sub>PK</sub>

- Notes:
1. This note intentionally not used.
  2. Time for output voltage to settle within 1% of its nominal value.
  3. Derate linearly to 0 at 135°C.
  4. Verified by initial electrical design verification. Post design verification, parameter shall be guaranteed to the limits specified.
  5. 5.0W on V<sub>MAIN</sub> and 2.5W on ±V<sub>AUX</sub>.
  6. Up to 70% of the total auxiliary power or current can be drawn from either of the auxiliary outputs.
  7. 5% load to full load at -55°C.

**BLOCK DIAGRAM**

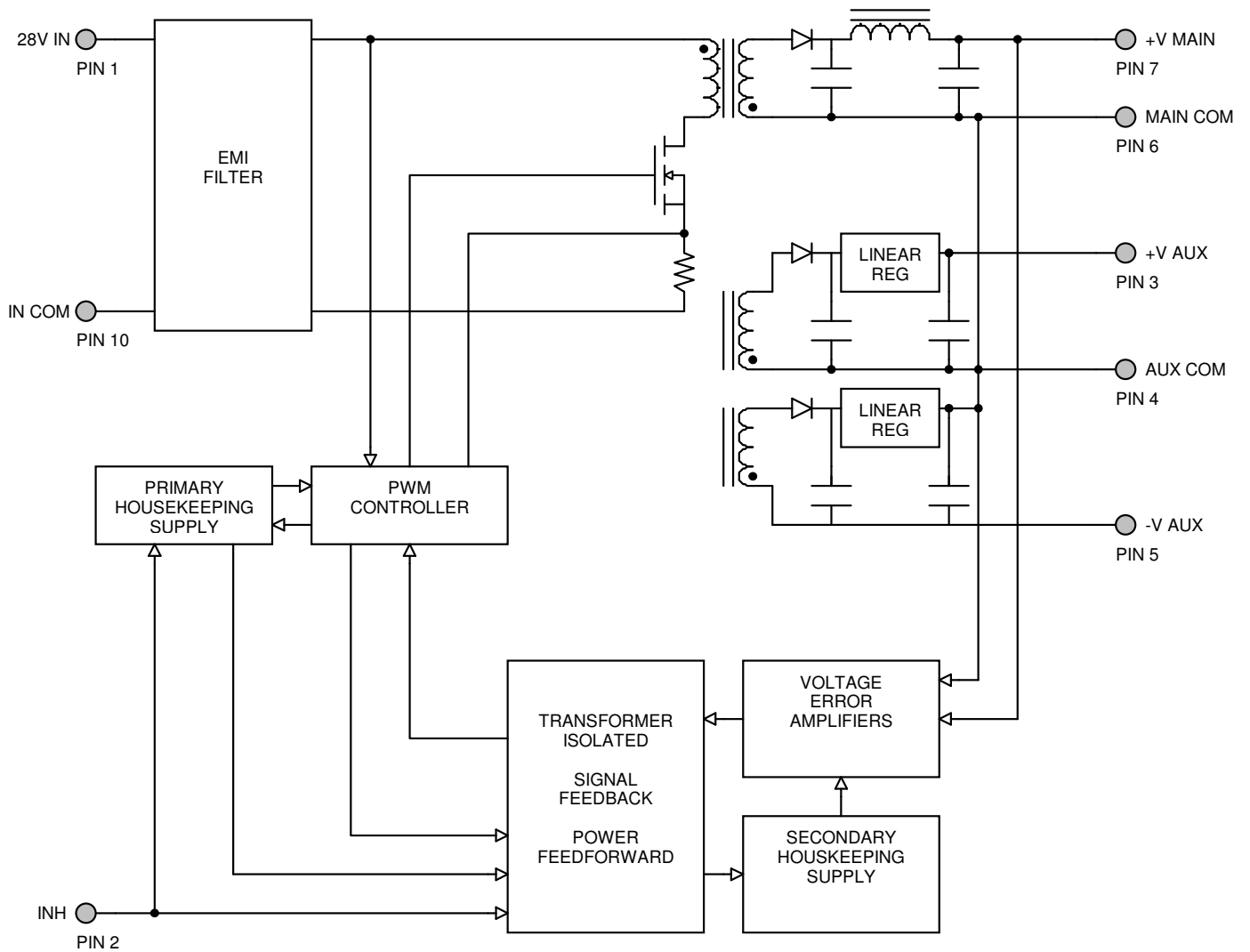


Figure 2

**CONNECTION DIAGRAM**

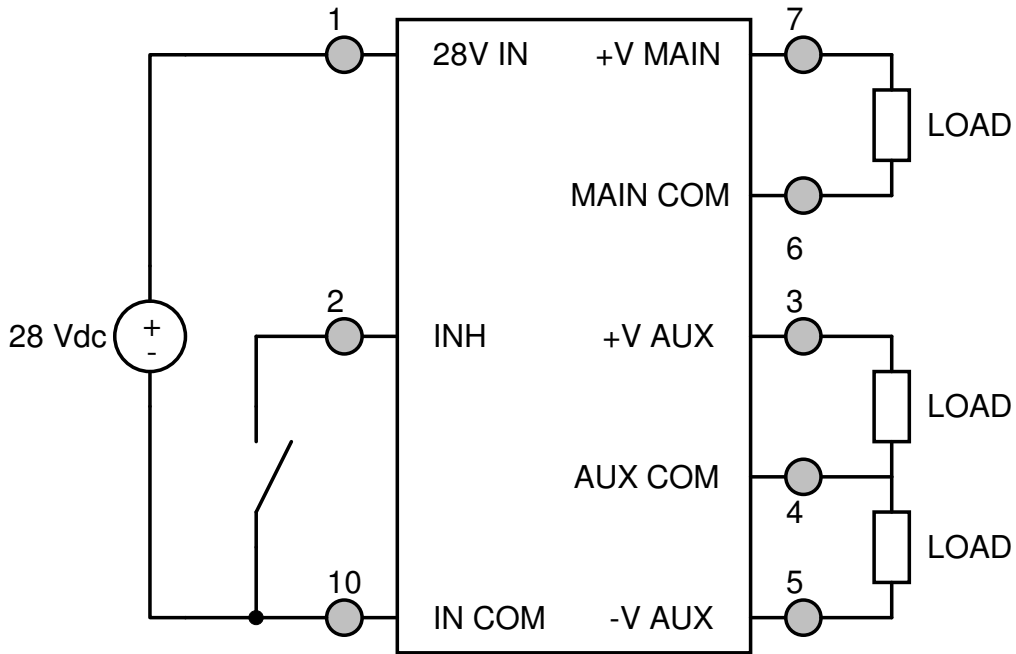


Figure 3

**INHIBIT DRIVE CONNECTION DIAGRAMS**

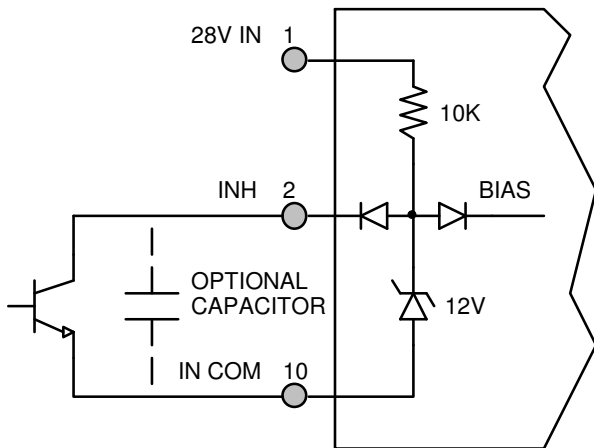


Figure 4 – Internal Inhibit Circuit and Recommended Drive  
(Shown with optional capacitor for turn-on delay)

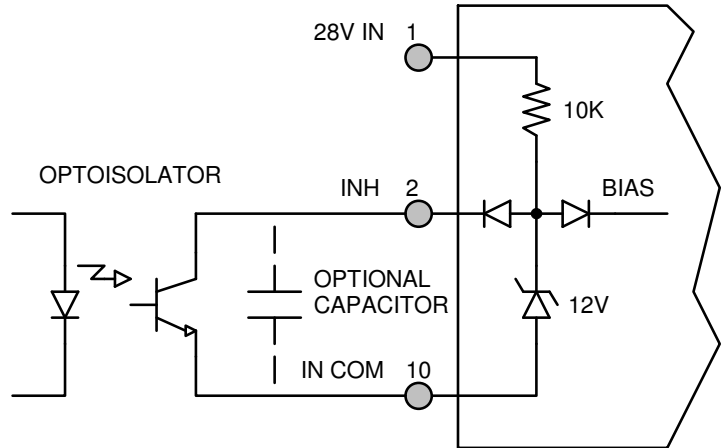
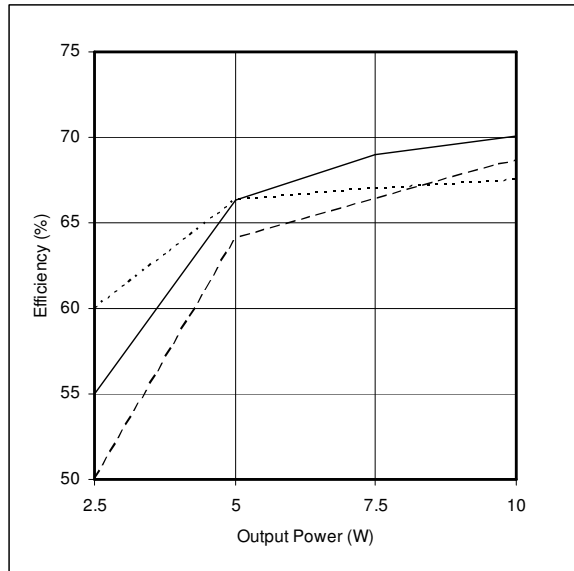
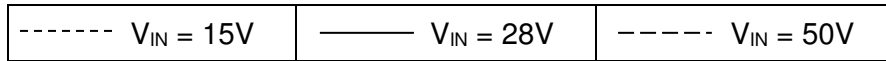
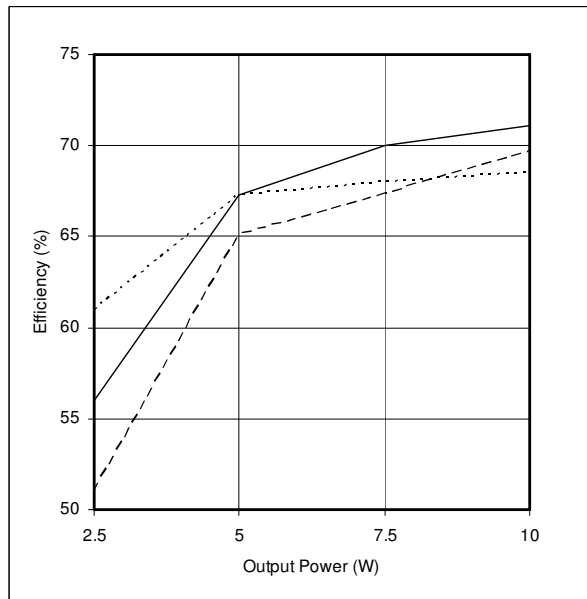


Figure 5 – Isolated Inhibit Drive  
(Shown with optional capacitor for turn-on delay)

**EFFICIENCY PERFORMANCE CURVES** ( $T_{CASE} = 25^{\circ}C$ )



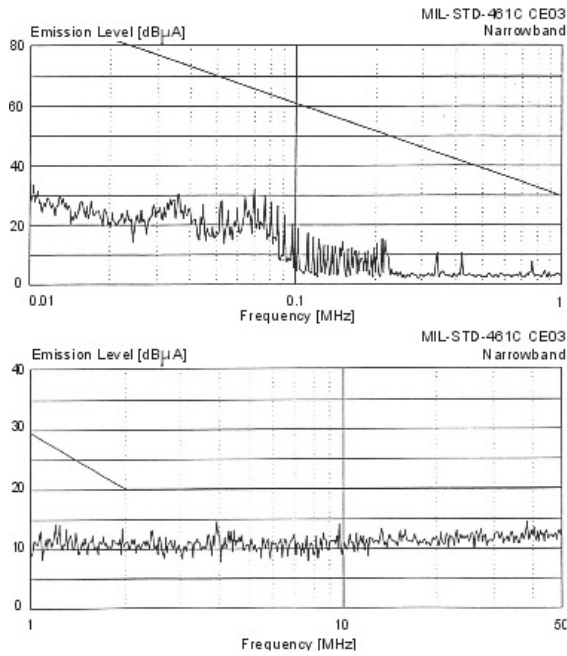
**Figure 7 – DVEHF28512T**  
Efficiency (%) vs. Output Power (W)



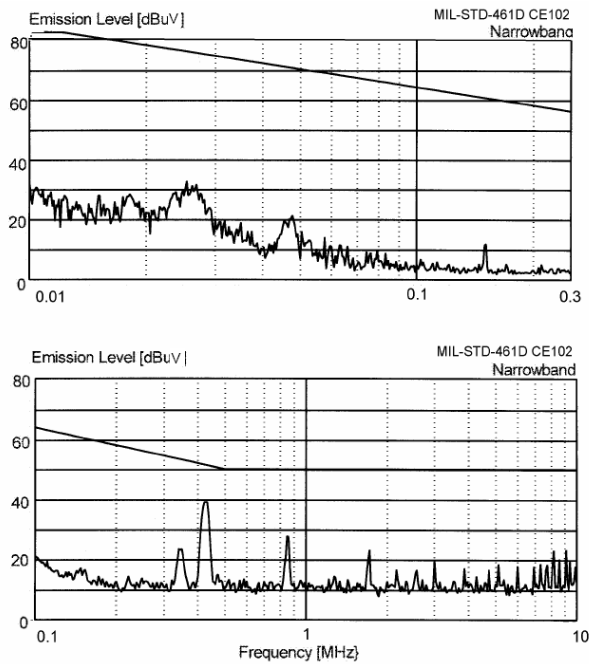
**Figure 8 – DVEHF28515T**  
Efficiency (%) vs. Output Power (W)

**EMI PERFORMANCE CURVES**

(T<sub>CASE</sub> = 25 °C, V<sub>IN</sub> = +28V ± 5%, Full Load, Unless Otherwise Specified)

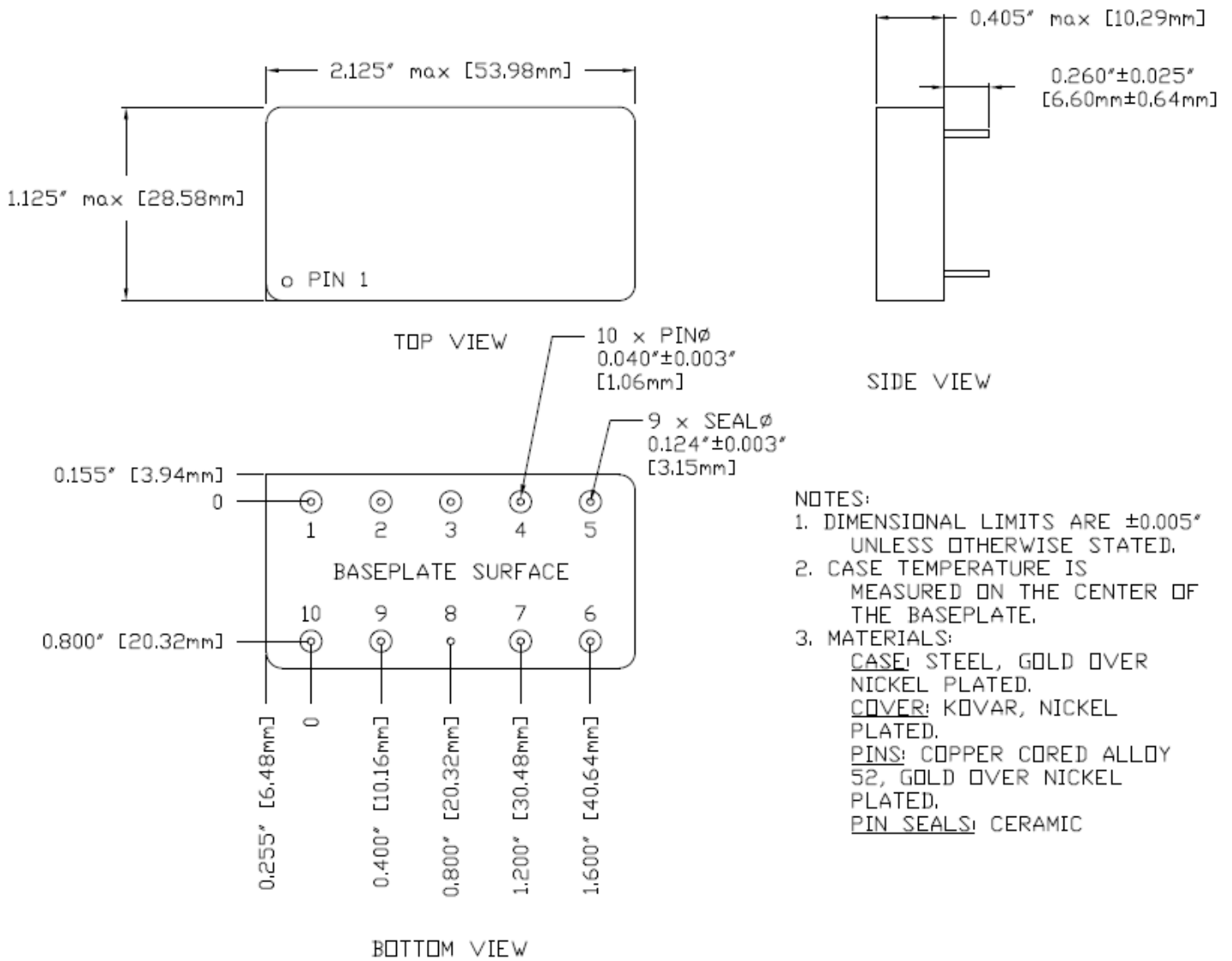


**Figure 9 – MIL-STD-461C  
DVEHF2800T**



**Figure 10 – MIL-STD-461D  
DVEHF2800T**

**PACKAGE SPECIFICATIONS (NON-FLANGED, SEAM SEAL)**

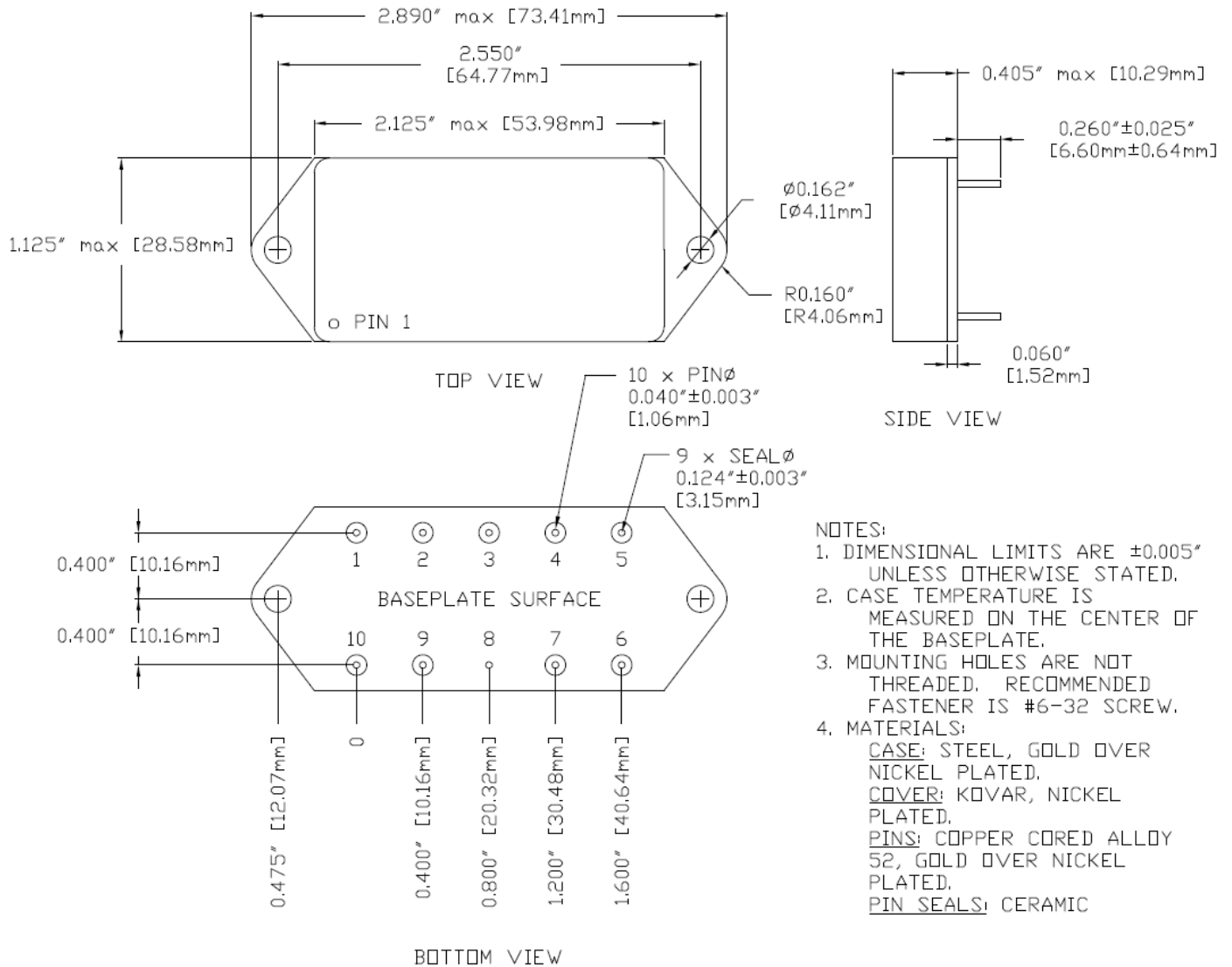


PIN	FUNCTION	PIN	FUNCTION
1	28V IN	6	MAIN COM
2	INHIBIT	7	+V MAIN
3	+V AUX	8	CASE
4	AUX COM	9	N/C
5	-V AUX	10	IN COM

**Figure 11 – Non-Flanged, Seam Seal Package and Pinout**



**PACKAGE SPECIFICATIONS (FLANGED, SEAM SEAL)**



PIN	FUNCTION	PIN	FUNCTION
1	28V IN	6	MAIN COM
2	INHIBIT	7	+V MAIN
3	+V AUX	8	CASE
4	AUX COM	9	N/C
5	-V AUX	10	IN COM

**Figure 12 – Flanged, Seam Seal Package and Pinout**

## PACKAGE PIN DESCRIPTION

Pin	Function	Description
1	28V IN	Positive Input Voltage Connection
2	INHIBIT	Logic Low = Disabled Output. Connecting the inhibit pin to input common causes converter shutdown. Logic High = Enabled Output. Unconnected or open collector TTL.
3	+V AUX	Positive Auxiliary Output Voltage Connection
4	AUX COM	Auxiliary Output Common Connection
5	-V AUX	Negative Auxiliary Output Voltage Connection
6	MAIN COM	Main Output Common Connection
7	+V MAIN	Positive Main Output Voltage Connection
8	CASE	Case Connection
9	N/C	No Connection
10	IN COM	Input Common Connection

## ENVIRONMENTAL SCREENING (100% Tested Per MIL-STD-883 as referenced to MIL-PRF-38534)

Screening	MIL-STD-883	Standard (No Suffix)	Extended /ES
Non-Destructive Bond Pull	Method 2023	•	•
Internal Visual	Method 2017, 2032 Internal Procedure	•	•
Temperature Cycling	Method 1010, -55°C to 125°C		•
Constant Acceleration	Method 2001, 500g, Y1 Direction		•
Burn-In	96 hours at +125°C 24 hours at +125°C	•	•
Final Electrical	100% at 25°C	•	•
Hermeticity	Method 1014, Fine Leak, Condition A2 or B1 Method 1014, Gross Leak, Condition C or B2 Dip ( $1 \times 10^{-3}$ )	•	• •
External Visual	Method 2009	•	•

## ORDERING INFORMATION

<b>DVEHF</b>	<b>28</b>	<b>5</b>	<b>12</b>	<b>T</b>	<b>F</b>	<b>/ES</b>	<b>-</b>	<b>XXX</b>
1	2	3	4	5	6	7		8

(1)                                  (2)                                  (3)                                  (4)

Product Series	Nominal Input Voltage		Main Output Voltage		Auxiliary Output Voltages	
<b>DVEHF</b>	<b>28</b>	28 Volts	<b>5</b>	+ 5 Volts	<b>12</b> <b>15</b>	± 12 Volts ± 15 Volts

(5)                                  (6)                                  (7)                                  (8)

Number of Outputs		Package Option		Screening Code <sup>1</sup>		Additional Screening Code
<b>T</b>	Triple	<b>None</b> <b>F</b>	Non-Flanged Flanged	<b>None</b> <b>/ES</b>	Standard Extended	Contact Sales

Notes:      1.      VPT Inc. reserves the right to ship higher screened products to meet lower screened orders at our sole discretion unless specifically forbidden by customer contract.

Please contact your sales representative or the VPT Inc. Sales Department for more information concerning additional environmental screening and testing, different input voltage, output voltage, power requirement, source inspection, and/or special element evaluation for space or other higher quality applications.

## CONTACT INFORMATION

To request a quotation or place orders please contact your sales representative or the VPT Inc. Sales Department at:

**Phone:**            (425) 353-3010  
**Fax:**                (425) 353-4030  
**E-mail:**            vptsales@vptpower.com

All information contained in this datasheet is believed to be accurate, however, no responsibility is assumed for possible errors or omissions. The products or specifications contained herein are subject to change without notice.