

HIGH RELIABILITY HYBRID DC-DC CONVERTERS

DESCRIPTION

The DVHV series of high-reliability DC-DC converters provide decades of successful critical mission support. Operable over the full military (-55 °C to +125 °C) temperature range with no power derating, the DVHV series unique input, and output filters dramatically reduce input and output noise performance. While operating at a nominal fixed frequency of 450 kHz, these regulated, isolated units utilize a high-speed magnetic feedback design and well-controlled under-voltage lockout circuitry to eliminate slow start-up problems.

These converters are designed and manufactured in a facility qualified to ISO9001 and certified to MIL-PRF-38534 and MIL-STD-883.

This product may incorporate one or more of the following U.S. patents:

5,784,266
5,790,389
5,963,438
5,999,433
6,005,780
6,084,792
6,118,673

FEATURES

- High Reliability
- Very Low Output Noise
- Output Voltage Trim Up +10% or Down -20%
- Wide Input Voltage Range: 15 to 50 Volts per MIL-STD-704
- Up to 15 Watts Output Power
- Fault Tolerant Magnetic Feedback Circuit
- NO Use of Optoisolators
- Undervoltage Lockout
- Indefinite Short Circuit Protection
- Current Limit Protection
- Industry Standard Pinout
- High Input Transient Voltage: 80 Volts for 1 sec per MIL-STD-704A
- Precision Seam Seal Hermetic Package
- Custom Versions Available
- Additional Environmental Screening Available
- Meets MIL-STD-461 Revisions C, D, E and F EMC Requirements When Used With VPT's EMI Filters
- Flanged and Non-flanged Versions Available.
- MIL-PRF-38534 Element Evaluated Components
- Space Applications should consider VPT's "S" Series of Radiation Tolerant Power Conversion Devices. Contact VPT for details.

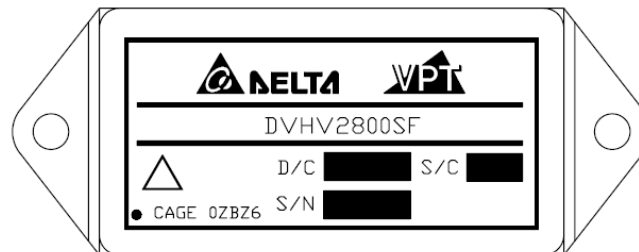


Figure 1 – DVHV2800S / DVHV2800SF DC-DC Converter
(Exact marking may differ from that shown)

SPECIFICATIONS (T_{CASE} = -55°C to +125°C, V_{IN} = +28V ± 5%, Full Load, Unless Otherwise Specified)

ABSOLUTE MAXIMUM RATINGS

Input Voltage (Continuous)	50 V _{DC}	Junction Temperature Rise to Case	+15°C
Input Voltage (Transient, 1 second)	80 Volts	Storage Temperature	-65°C to +150°C
Output Power ¹	15 Watts	Lead Solder Temperature (10 seconds)	270°C
Power Dissipation (Full Load, T _{CASE} = +125°C)	6 Watts	Weight (Maximum) (Un-Flanged / Flanged)	(52 / 55) Grams
ESD Rating per MIL-PRF-38534	3A		

Parameter	Conditions	DVHV283R3S			DVHV2805S			Units
		Min	Typ	Max	Min	Typ	Max	
STATIC								
INPUT Voltage ⁴	Continuous	15	28	50	15	28	50	V
	Transient, 1 sec	-	-	80	-	-	80	V
Current	Inhibited	-	-	6	-	-	6	mA
	No Load	-	-	90	-	-	90	mA
Ripple Current	Full Load, 20Hz to 10MHz	-	-	50	-	-	50	mA _{p-p}
Inhibit Pin Input ⁴		0	-	1.5	0	-	1.5	V
Inhibit Pin Open Circuit Voltage ⁴		9.0	11.0	13.0	9.0	11.0	13.0	V
UVLO Turn On		12.0	-	14.8	12.0	-	14.8	V
UVLO Turn Off ⁴		11.0	-	14.5	11.0	-	14.5	V
OUTPUT Voltage	V _{OUT} T _{CASE} = 25°C	3.26	3.30	3.34	4.95	5.00	5.05	V
	V _{OUT} T _{CASE} = -55°C to +125°C	3.25	3.30	3.35	4.925	5.00	5.075	V
Power ³		0	-	10	0	-	15	W
Current ³	V _{OUT}	0	-	3.03	0	-	3.0	A
Ripple Voltage	V _{OUT} Full Load, 20Hz to 10MHz	-	-	30	-	-	30	mV _{p-p}
Line Regulation	V _{OUT} V _{IN} = 15V to 50V	-	-	20	-	-	20	mV
Load Regulation	V _{OUT} No Load to Full Load	-	-	50	-	-	50	mV
EFFICIENCY		68	-	-	73	-	-	%
LOAD FAULT POWER DISSIPATION ⁴	Overload	-	-	11	-	-	11	W
	Short Circuit	-	-	11	-	-	11	W
CAPACITIVE LOAD ⁴		-	-	1000	-	-	1000	μF
SWITCHING FREQUENCY		400	475	550	400	475	550	kHz
SYNC FREQUENCY RANGE	V _H - V _L = 5V Duty Cycle = 20% - 80%	500	-	600	500	-	600	kHz
ISOLATION	500 V _{DC}	100	-	-	100	-	-	MΩ
MTBF (MIL-HDBK-217F) ⁵	AIF @ T _C = 55°C	-	525	-	-	525	-	kHrs
DYNAMIC								
Load Step Output Transient	V _{OUT} Half Load to Full Load	-	-	200	-	-	300	mV _{PK}
Load Step Recovery ²		-	-	550	-	-	500	μSec
Line Step Output Transient ⁴	V _{OUT} V _{IN} = 16V to 40V	-	300	600	-	300	600	mV _{PK}
Line Step Recovery ^{2, 4}		-	300	500	-	300	500	μSec
Turn On Delay	V _{OUT} V _{IN} = 0V to 28V	-	-	20	-	-	20	mSec
Turn On Overshoot		-	-	15	-	-	25	mV _{PK}

- Notes:
1. Dependent on output voltage.
 2. Time for output voltage to settle within 1% of its nominal value.
 3. Derate linearly to 0 at 135°C.
 4. Verified by qualification testing.
 5. Correction factor of 0.12 added to ceramic capacitors.

SPECIFICATIONS (T_{CASE} = -55°C to +125°C, V_{IN} = +28V ± 5%, Full Load, Unless Otherwise Specified)

ABSOLUTE MAXIMUM RATINGS

Input Voltage (Continuous)	50 V _{DC}	Junction Temperature Rise to Case	+15°C
Input Voltage (Transient, 1 second)	80 Volts	Storage Temperature	-65°C to +150°C
Output Power ¹	15 Watts	Lead Solder Temperature (10 seconds)	270°C
Power Dissipation (Full Load, T _{CASE} = +125°C)	6 Watts	Weight (Maximum) (Un-Flanged / Flanged)	(52 / 55) Grams
ESD Rating per MIL-PRF-38534	3A		

Parameter	Conditions	DVHV2812S			DVHV2815S			Units
		Min	Typ	Max	Min	Typ	Max	
STATIC								
INPUT Voltage ⁴	Continuous	15	28	50	15	28	50	V
	Transient, 1 sec	-	-	80	-	-	80	V
Current	Inhibited	-	-	6	-	-	6	mA
	No Load	-	-	90	-	-	90	mA
Ripple Current	Full Load, 20Hz to 10MHz	-	-	50	-	-	50	mA _{p-p}
Inhibit Pin Input ⁴		0	-	1.5	0	-	1.5	V
Inhibit Pin Open Circuit Voltage ⁴		9.0	11.0	13.0	9.0	11.0	13.0	V
UVLO Turn On		12.0	-	14.8	12.0	-	14.8	V
UVLO Turn Off ⁴		11.0	-	14.5	11.0	-	14.5	V
OUTPUT Voltage	V _{OUT} T _{CASE} = 25°C	11.88	12.0	12.12	14.85	15.0	15.15	V
	V _{OUT} T _{CASE} = -55°C to +125°C	11.82	12.0	12.18	14.775	15.0	15.225	V
Power ³		0	-	15	0	-	15	W
Current ³	V _{OUT}	0	-	1.25	0	-	1.0	A
Ripple Voltage	V _{OUT} Full Load, 20Hz to 10MHz	-	-	40	-	-	40	mV _{p-p}
Line Regulation	V _{OUT} V _{IN} = 15V to 50V	-	-	20	-	-	20	mV
Load Regulation	V _{OUT} No Load to Full Load	-	-	50	-	-	50	mV
EFFICIENCY		77	-	-	77	-	-	%
LOAD FAULT POWER DISSIPATION ⁴	Overload	-	-	11	-	-	11	W
	Short Circuit	-	-	11	-	-	11	W
CAPACITIVE LOAD ⁴		-	-	500	-	-	500	μF
SWITCHING FREQUENCY		400	475	550	400	475	550	kHz
SYNC FREQUENCY RANGE	V _H - V _L = 5V Duty Cycle = 20% - 80%	500	-	600	500	-	600	KHz
ISOLATION	500 V _{DC}	100	-	-	100	-	-	MΩ
MTBF (MIL-HDBK-217F) ⁵	AIF @ T _C = 55°C	-	525	-	-	525	-	kHrs
DYNAMIC								
Load Step Output Transient	V _{OUT} Half Load to Full Load	-	-	300	-	-	350	mV _{PK}
Load Step Recovery ²		-	-	550	-	-	450	μSec
Line Step Output Transient ⁴	V _{OUT} V _{IN} = 16V to 40V	-	500	900	-	500	900	mV _{PK}
Line Step Recovery ^{2, 4}		-	300	500	-	300	500	μSec
Turn On Delay	V _{OUT} V _{IN} = 0V to 28V	-	-	20	-	-	20	mSec
Turn On Overshoot		-	-	50	-	-	50	mV _{PK}

Notes:

1. Dependent on output voltage.
2. Time for output voltage to settle within 1% of its nominal value.
3. Derate linearly to 0 at 135°C.
4. Verified by initial electrical design verification. Post design verification, parameter shall be guaranteed to the limits specified.
5. Correction factor of 0.12 added to ceramic capacitors.

SPECIFICATIONS (T_{CASE} = -55°C to +125°C, V_{IN} = +28V ± 5%, Full Load, Unless Otherwise Specified)

ABSOLUTE MAXIMUM RATINGS

Input Voltage (Continuous)	50 V _{DC}	Junction Temperature Rise to Case	+15°C
Input Voltage (Transient, 1 second)	80 Volts	Storage Temperature	-65°C to +150°C
Output Power ¹	15 Watts	Lead Solder Temperature (10 seconds)	270°C
Power Dissipation (Full Load, T _{CASE} = +125°C)	6 Watts	Weight (Maximum) (Un-Flanged / Flanged)	(52 / 55) Grams
ESD Rating per MIL-PRF-38534	3A		

Parameter	Conditions	DVHV285R2S			Units
		Min	Typ	Max	
STATIC					
INPUT Voltage ⁴	Continuous	15	28	50	V
	Transient, 1 sec	-	-	80	V
Current	Inhibited	-	-	6	mA
	No Load	-	-	90	mA
Ripple Current	Full Load, 20Hz to 10MHz	-	-	50	mA _{p-p}
Inhibit Pin Input ⁴		0	-	1.5	V
Inhibit Pin Open Circuit Voltage ⁴		9.0	11.0	13.0	V
UVLO Turn On		12.0	-	14.8	V
UVLO Turn Off ⁴		11.0	-	14.5	V
OUTPUT Voltage	V _{OUT} T _{CASE} = 25°C	5.148	5.20	5.252	V
	V _{OUT} T _{CASE} = -55°C to +125°C	5.122	5.20	5.278	V
Power ³		0	-	15	W
Current ³	V _{OUT}	0	-	3.0	A
Ripple Voltage	V _{OUT} Full Load, 20Hz to 10MHz	-	-	30	mV _{p-p}
Line Regulation	V _{OUT} V _{IN} = 15V to 50V	-	-	20	mV
Load Regulation	V _{OUT} No Load to Full Load	-	-	50	mV
EFFICIENCY		73	-	-	%
LOAD FAULT POWER DISSIPATION ⁴	Overload	-	-	11	W
	Short Circuit	-	-	11	W
CAPACITIVE LOAD ⁴		-	-	1000	μF
SWITCHING FREQUENCY		400	475	550	kHz
SYNC FREQUENCY RANGE	V _H - V _L = 5V Duty Cycle = 20% - 80%	500	-	600	kHz
ISOLATION	500 V _{DC}	100	-	-	MΩ
MTBF (MIL-HDBK-217F) ⁵	AIF @ T _C = 55°C	-	525	-	kHrs
DYNAMIC					
Load Step Output Transient	V _{OUT} Half Load to Full Load	-	-	300	mV _{PK}
Load Step Recovery ²		-	-	500	μSec
Line Step Output Transient ⁴	V _{OUT} V _{IN} = 16V to 40V	-	300	600	mV _{PK}
Line Step Recovery ^{2, 4}		-	300	500	μSec
Turn On Delay	V _{OUT} V _{IN} = 0V to 28V	-	-	20	mSec
Turn On Overshoot		-	-	25	mV _{PK}

Notes:

1. Dependent on output voltage.
2. Time for output voltage to settle within 1% of its nominal value.
3. Derate linearly to 0 at 135°C.
4. Verified by initial electrical design verification. Post design verification, parameter shall be guaranteed to the limits specified.
5. Correction factor of 0.12 added to ceramic capacitors.

BLOCK DIAGRAM

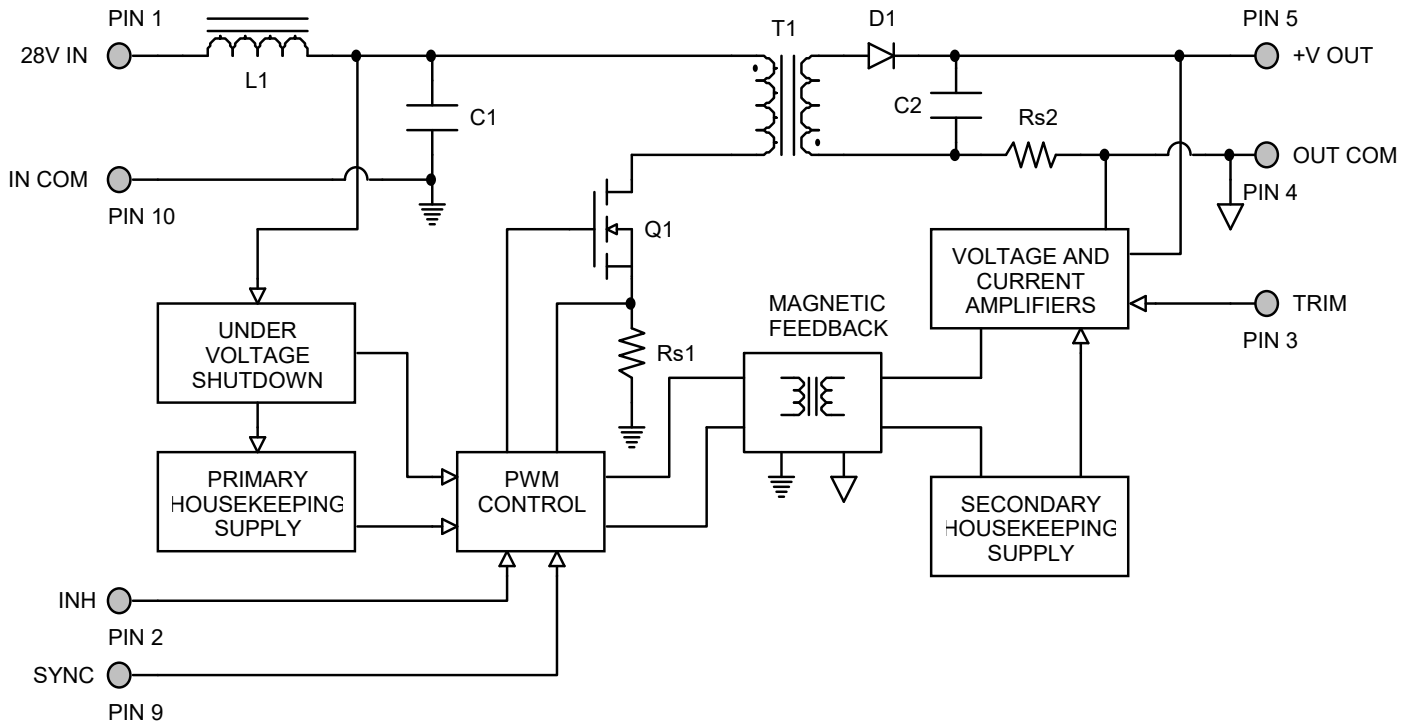


Figure 2

CONNECTION DIAGRAM

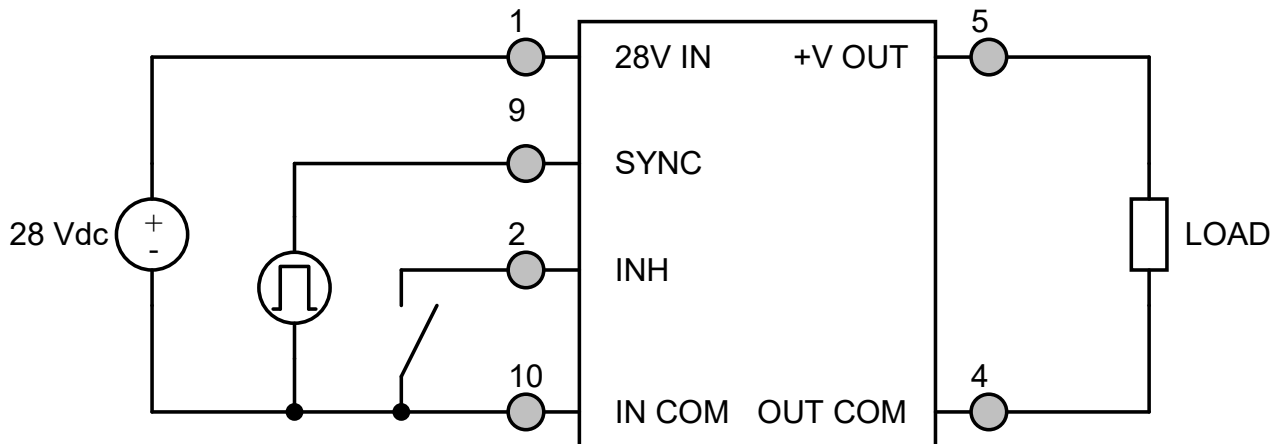


Figure 3

INHIBIT DRIVE CONNECTION DIAGRAMS

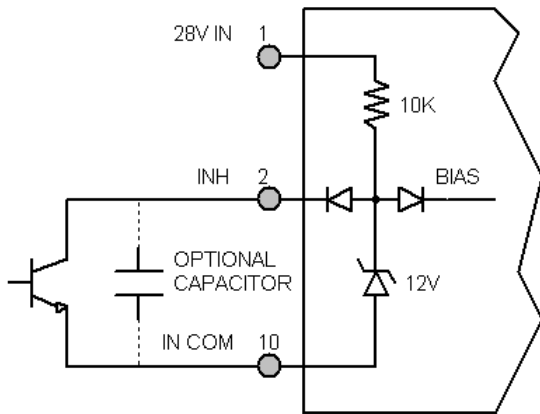


Figure 4 – Internal Inhibit Circuit and Recommended Drive
(Shown with optional capacitor for turn-on delay)

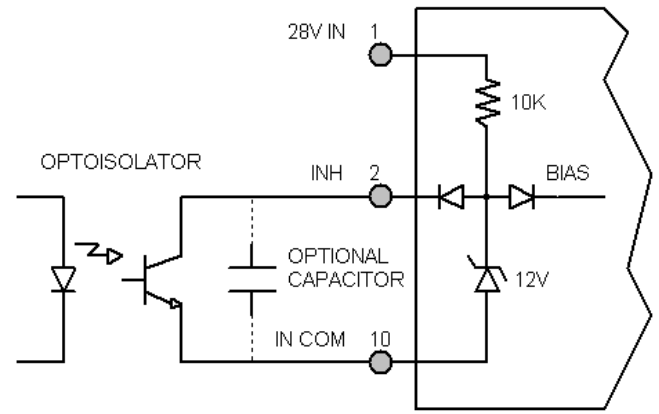


Figure 5 – Isolated Inhibit Drive
(Shown with optional capacitor for turn-on delay)

EMI FILTER HOOKUP DIAGRAM

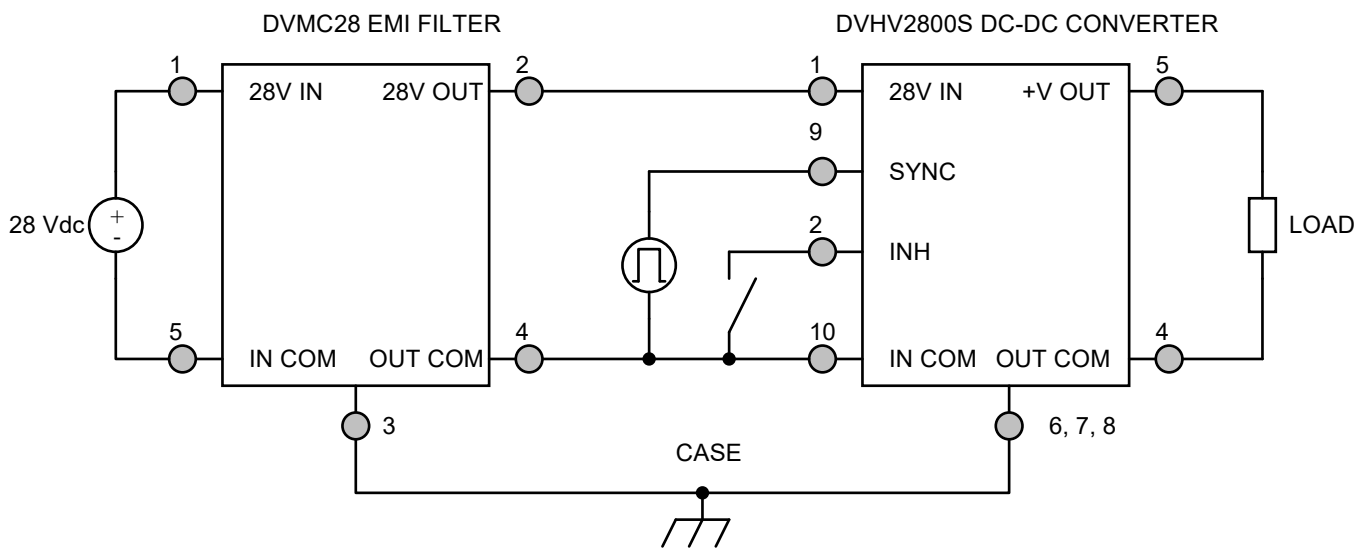


Figure 6 – Converter with EMI Filter

PARALLEL CONNECTION DIAGRAM

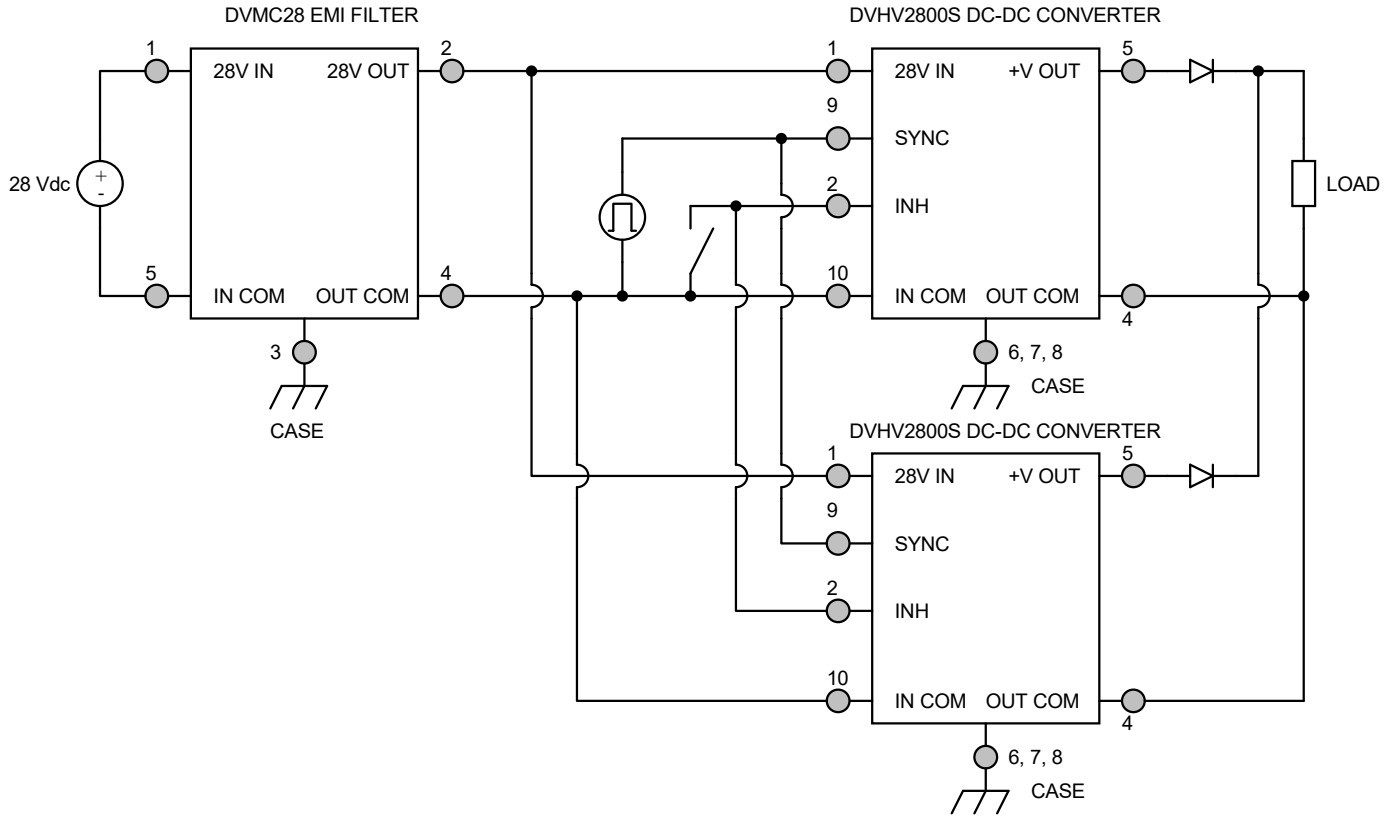
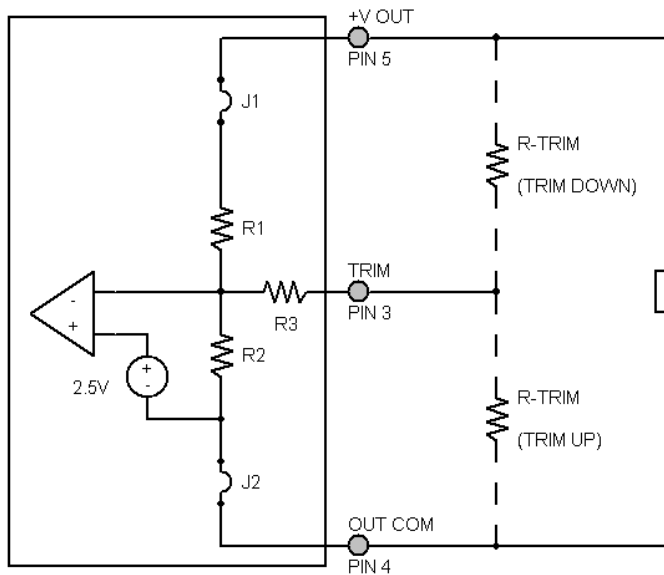


Figure 7

OUTPUT VOLTAGE TRIM



The output voltage can be trimmed down by connecting a resistor between the TRIM pin (PIN 3) and the +V OUT pin (PIN 5), or can be trimmed up by connecting a resistor between the TRIM pin (PIN 3) and the OUT COM pin (PIN 4). The maximum trim range is +10% up and -20% down. The appropriate resistor values versus the output voltage are given in the trim table below.

Figure 8 – Output Voltage Trim

DVHV283R3S		DVHV2805S		DVHV285R2S		DVHV2812S		DVHV2815S	
+V _{OUT} (V)	R _{TRIM} (Ω)	+V _{OUT} (V)	R _{TRIM} (Ω)	+V _{OUT} (V)	R _{TRIM} (Ω)	+V _{OUT} (V)	R _{TRIM} (Ω)	+V _{OUT} (V)	R _{TRIM} (Ω)
3.75	25.4k	5.5	19k	5.7	23k	13.2	5.93k	16.75	0
3.70	32.5k	5.4	31.5k	5.6	36.5k	13.0	10.1k	16.50	1.67k
3.65	41.8k	5.3	52.3k	5.5	59k	12.8	16.5k	16.25	5k
3.60	54.2k	5.2	94k	5.4	104k	12.6	27.1k	16.00	10k
3.55	71.6k	5.1	219k	5.3	239k	12.4	48.4k	15.75	18.3k
3.50	98.2k	5.0	-	5.2	-	12.2	113.7k	15.50	35k
3.45	143.2k	4.9	209k	5.1	249.8k	12.0	-	15.25	85k
3.40	236k	4.8	84k	5.0	104k	11.8	437k	15.00	-
3.35	543k	4.7	42.3k	4.9	55.4k	11.6	209k	14.75	475k
3.30	-	4.6	21.5k	4.8	31.1k	11.4	132k	14.50	225k
3.25	102k	4.5	9k	4.7	16.5k	11.2	93k	14.25	142k
3.20	34.8k	4.4	0	4.6	6.8k	11.0	69.5k	14.00	100k
3.15	10.5k					10.8	53.8k	13.75	75k
3.10	0					10.6	42.6k	13.50	58.3k
						10.4	34.2k	13.25	46.4k
						10.2	27.6k	13.00	37.5k
						10.0	22.4k	12.75	30.6k
						9.8	18.1k	12.50	25k
						9.6	14.5k	12.25	20.5k
						9.4	11.5k	12.00	16.7k
						9.2	8.88k		
						9.0	6.63k		

EFFICIENCY PERFORMANCE CURVES ($T_{CASE} = 25^{\circ}C$, Full Load, Unless Otherwise Specified)

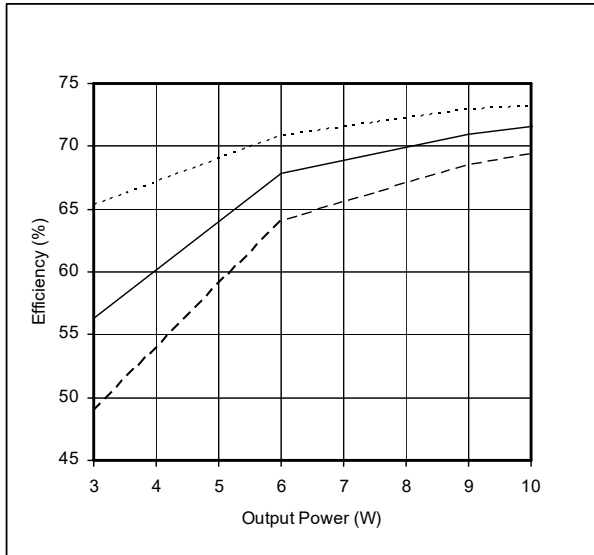
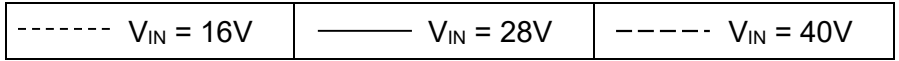


Figure 9 – DVHV283R3S
Efficiency (%) vs. Output Power (W)

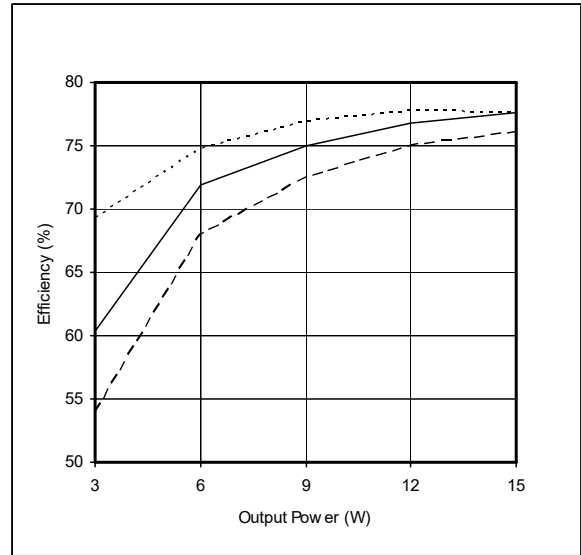


Figure 10 – DVHV2805S / DVHV285R2S
Efficiency (%) vs. Output Power (W)

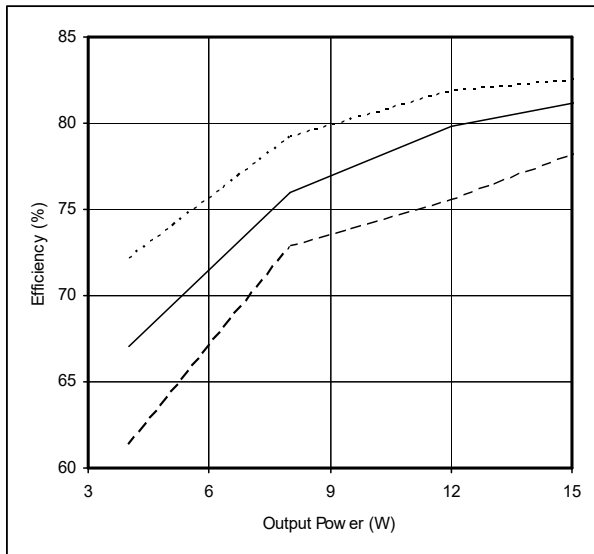


Figure 11 – DVHV2812S
Efficiency (%) vs. Output Power (W)

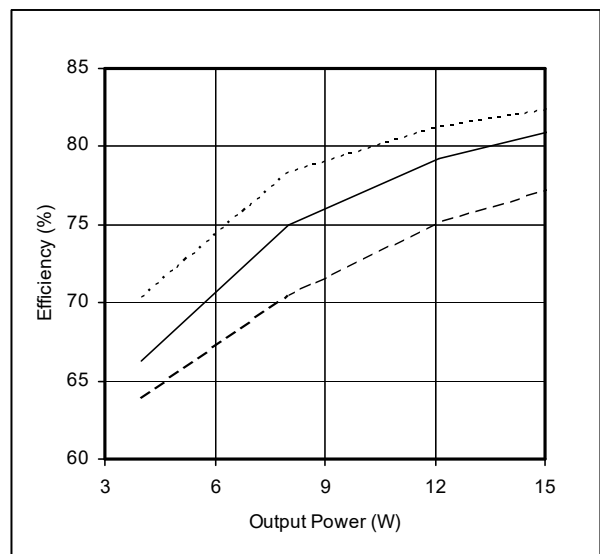


Figure 12 – DVHV2815S
Efficiency (%) vs. Output Power (W)

EMI PERFORMANCE CURVES

($T_{CASE} = 25^{\circ}C$, $V_{IN} = +28V \pm 5\%$, Full Load, Unless Otherwise Specified)

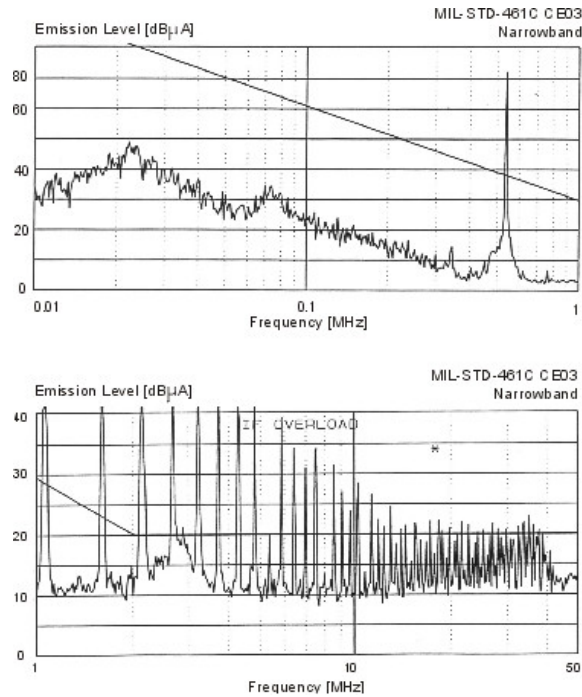


Figure 13 – DVHV2800S without EMI Filter

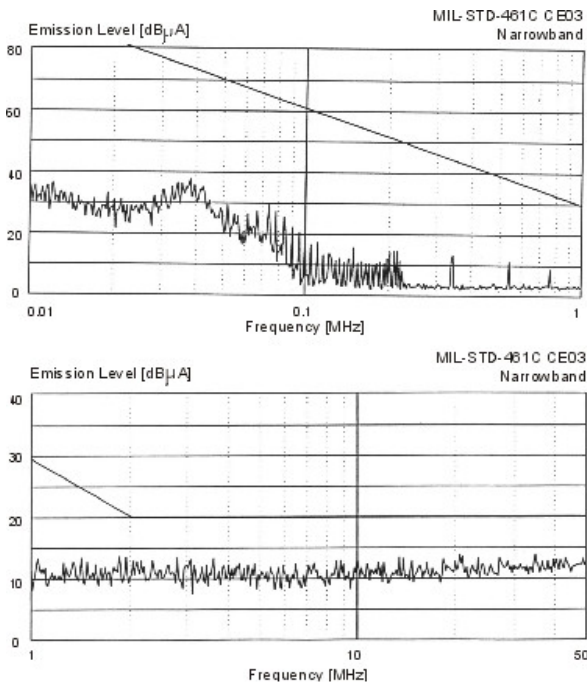
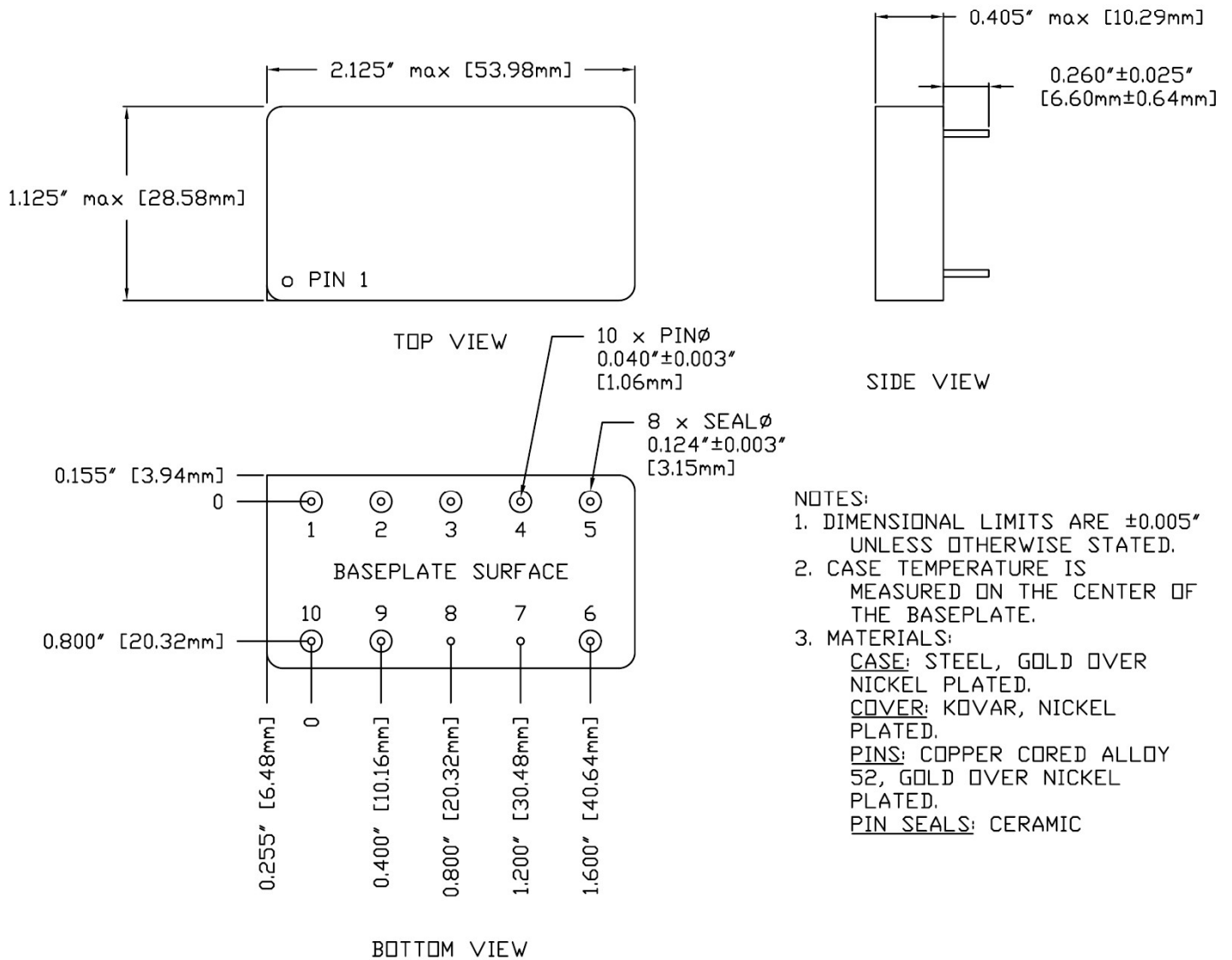


Figure 14 – DVHV2800S with EMI Filter

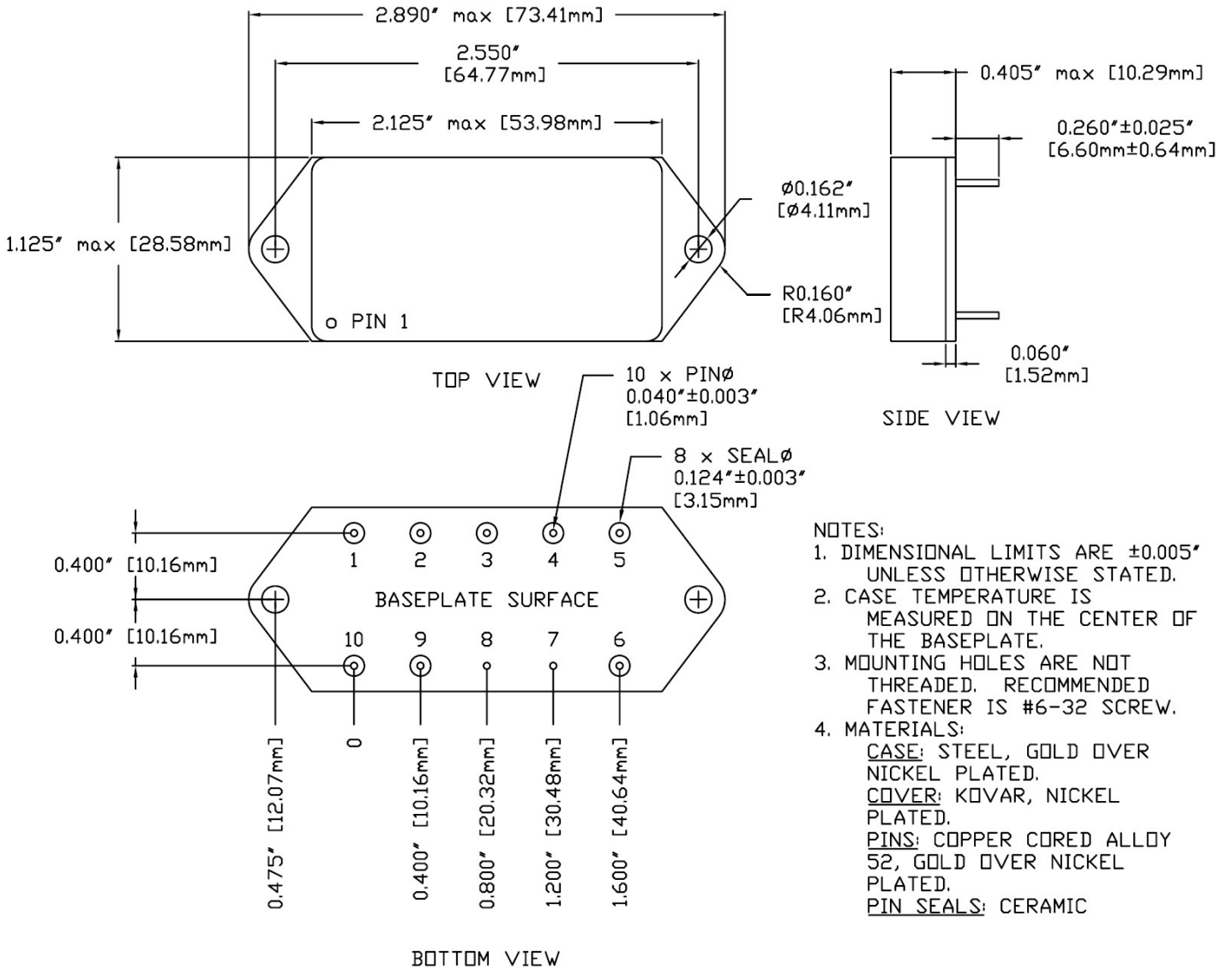
PACKAGE SPECIFICATIONS (NON-FLANGED, SEAM SEAL)



PIN	FUNCTION	PIN	FUNCTION
1	28V IN	6	CASE
2	INHIBIT	7	CASE
3	TRIM	8	CASE
4	OUT COM	9	SYNC
5	+V OUT	10	IN COM

Figure 15 – Non-Flanged, Seam Seal Package and Pinout

PACKAGE SPECIFICATIONS (FLANGED, SEAM SEAL)



PIN	FUNCTION	PIN	FUNCTION
1	28V IN	6	CASE
2	INHIBIT	7	CASE
3	TRIM	8	CASE
4	OUT COM	9	SYNC
5	+V OUT	10	IN COM

Figure 16 – Flanged, Seam Seal Package and Pinout

PACKAGE PIN DESCRIPTION

Pin	Function	Description
1	28V IN	Positive Input Voltage Connection
2	INHIBIT	Logic Low = Disabled Output. Connecting the inhibit pin to input common causes converter shutdown. Logic High = Enabled Output. Unconnected or open collector TTL.
3	TRIM	Trim Output Voltage to +10%, -20% of Nominal Value
4	OUT COM	Output Common Connection
5	+V OUT	Positive Output Voltage Connection
6	CASE	Case Connection
7	CASE	Case Connection
8	CASE	Case Connection
9	SYNC	Synchronization Signal
10	IN COM	Input Common Connection

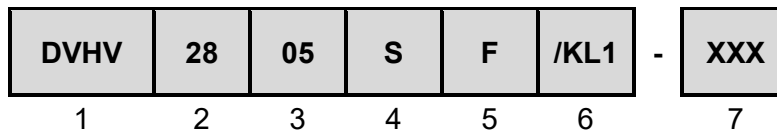
ENVIRONMENTAL SCREENING (100% Tested Per MIL-STD-883 as referenced to MIL-PRF-38534)

Test	MIL-STD-883 Test Method, Condition	No Suffix (Standard) Non-QML 5	/ES (Extended) Non-QML 5	/H (Class H)	/KL1 Non-QML 5,9
Non-Destructive Bond Pull	TM2023	• ⁴	• ⁴	• ⁴	•
Internal Visual	TM2010, TM2017, TM2032 (MIL-STD-750, TM2072, TM2073)	•	•	•	•
Temperature Cycling	TM1010, Condition C -65°C to 150°C, Ambient			•	•
	TM1010, Condition B -55°C to 125°C, Ambient		•		
Constant Acceleration	TM2001, 3000g, Y1 Direction			•	•
	TM2001, 500g, Y1 Direction		•		
PIND ⁷	TM2020, Condition A				•
Pre Burn-In Electrical	25°C				•
Burn-In	TM1015, 320 hrs, 125°C, Case Typ				•
	TM1015, 160 hrs, 125°C, Case Typ			•	
	96 hrs, 125°C, Case Typ		•		
	24 hrs, 125°C, Case Typ	•			
Final Electrical	MIL-PRF-38534, Group A Subgroups 1-6 -55°C, 25°C, 125°C ³			•	•
	MIL-PRF-38534, Group A Subgroups 1 and 4 25°C	•	•		
Hermeticity (Seal)	TM1014, Fine Leak, Condition A2 or B1		•	•	•
	TM1014, Gross Leak, Condition C1 or B2		•	•	•
	Gross Leak, Dip (No Bomb), Visual Verification	•			
Radiography ⁸	TM2012				•
External Visual	TM2009	•	•	•	•

Notes:

- Contact Sales for more information concerning additional environmental screening and testing options desired.
- VPT Inc. reserves the right to ship higher screened or SMD products to meet lower screened orders at our sole discretion unless specifically forbidden by customer contract.
- 100% R&R testing with all test data included in product shipment.
- Not required per MIL-PRF-38534. Test is performed for additional product quality assurance.
- Non-QML products may not meet all requirements of MIL-PRF-38534.
- Note intentionally not used.
- PIND test Certificate of Compliance included in product shipment.
- Radiographic test Certificate of Compliance and film(s) or data CD included in product shipment.
- KL1 products are identical in every way with Class K products in compliance with MIL-PRF-38534 revision L and later revisions except they contain elements evaluated to the requirements of MIL-PRF-38534 revision K and previous revisions. These devices are not marked with an SMD number or MIL-PRF-38534 certification mark and are marked with -KL1 screening code in place of -K.

ORDERING INFORMATION



	(1)	(2)	(3)	(4)	
Product Series	Nominal Input Voltage		Output Voltage		Number of Outputs
DVHV	28	28 Volts	3R3 05 5R2 12 15	3.3 Volts 5 Volts 5.2 Volts 12 Volts 15 Volts	S Single

	(5)	(6)	(7)
Package Option	Screening Code ^{1,2,3}		Additional Screening Code
None F	Non-Flanged Flanged	None /ES /H /KL1	Standard Extended Class H Class KL1
			Contact Sales

- Notes:
1. Contact the VPT Inc. Sales Department for availability of Class H (/H) and KL1 (/KL1) qualified products.
 2. VPT Inc. reserves the right to ship higher screened or SMD products to meet lower screened orders at our sole discretion unless specifically forbidden by customer contract.
 3. -KL1 products are identical in every way with Class K products in compliance with MIL-PRF-38534 revision L and later revisions except they contain elements evaluated to the requirements of MIL-PRF-38534 revision K and previous revisions. These devices are not marked with an SMD number or MIL-PRF-38534 certification mark and are marked with -KL1 screening code in place of -K.

Please contact your sales representative or the VPT Inc. Sales Department for more information concerning additional environmental screening and testing, different input voltage, output voltage, power requirement, source inspection, and/or special element evaluation for space or other higher quality applications.

SMD (STANDARD MICROCIRCUIT DRAWING) NUMBERS

Standard Microcircuit Drawing (SMD)	Vendor CAGE Number	DVHV2800S Series Similar Part Number
5962-1122601HXC 5962-1122601HXA 5962-1122601HYC 5962-1122601HYA	0ZBZ6 0ZBZ6 0ZBZ6 0ZBZ6	DVHV283R3S/H DVHV283R3S/H-E DVHV283R3SF/H DVHV283R3SF/H-E
5962-1122602HXC 5962-1122602HXA 5962-1122602HYC 5962-1122602HYA	0ZBZ6 0ZBZ6 0ZBZ6 0ZBZ6	DVHV2805S/H DVHV2805S/H-E DVHV2805SF/H DVHV2805SF/H-E
5962-1122603HXC 5962-1122603HXA 5962-1122603HYC 5962-1122603HYA	0ZBZ6 0ZBZ6 0ZBZ6 0ZBZ6	DVHV285R2S/H DVHV285R2S/H-E DVHV285R2SF/H DVHV285R2SF/H-E

Standard Microcircuit Drawing (SMD)	Vendor CAGE Number	DVHV2800S Series Similar Part Number
5962-1122604HXC 5962-1122604HXA 5962-1122604HYC 5962-1122604HYA	0ZBZ6 0ZBZ6 0ZBZ6 0ZBZ6	DVHV2812S/H DVHV2812S/H-E DVHV2812SF/H DVHV2812SF/H-E
5962-1122605HXC 5962-1122605HXA 5962-1122605HYC 5962-1122605HYA	0ZBZ6 0ZBZ6 0ZBZ6 0ZBZ6	DVHV2815S/H DVHV2815S/H-E DVHV2815SF/H DVHV2815SF/H-E

Do not use the DVHV2800S Series similar part number for SMD product acquisition. It is listed for reference only. For exact specifications for the SMD product, refer to the SMD drawing. SMDs can be downloaded from the DLA Land and Maritime (Previously known as DSCC) website at <https://landandmaritimeapps.dla.mil/programs/defaultapps.asp>. The SMD number listed above represents the Federal Stock Class, Device Type, Device Class Designator, Case Outline, Lead Finish and RHA Designator (where applicable). Please reference the SMD for other screening levels, lead finishes, and radiation levels. All SMD products are marked with a "Q" on the cover as specified by the QML certification mark requirement of MIL-PRF-38534.

CONTACT INFORMATION

To request a quotation or place orders please contact your sales representative or the VPT Inc. Sales Department at:

Phone: (425) 353-3010
Fax: (425) 353-4030
E-mail: vptsales@vptpower.com

All information contained in this datasheet is believed to be accurate, however, no responsibility is assumed for possible errors or omissions. The products or specifications contained herein are subject to change without notice.