

VPT Hero Power System

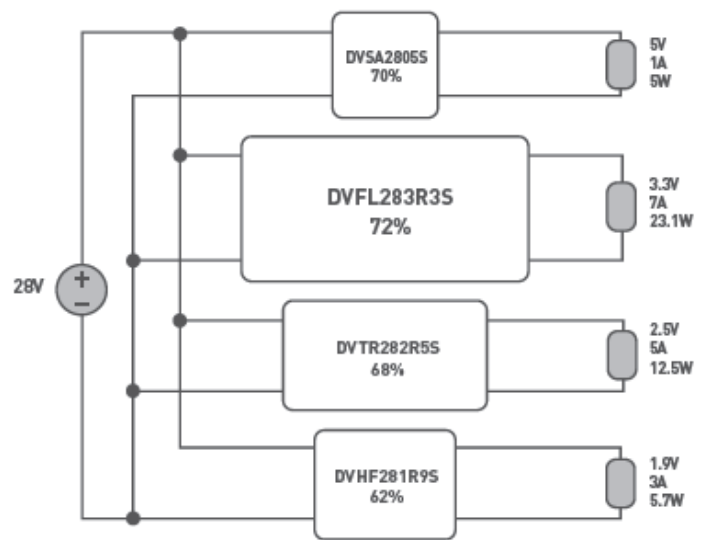
Demonstration of Improvements in Power Efficiency, System Footprint, and System Weight using the High Efficiency, Reliability Optimized (HERO) Power System.



Traditional Approach

Using multiple isolated DC-DC power converters:

- Power Out = 46.3W
- Power In = 66.8W
- Efficiency = 69.3%
- Board Area = 9.718 in²
- Weight = 177G



With VPT's HERO Approach

Using a single isolated DC-DC power converter and multiple POL converters:

- Power Out = 46.3W
- Power In = 54.4W
- Efficiency = 85.1%
(>15% improvement)
- Board Area = 4.81 in²
(50% reduction)
- Weight = 90G
(50% lighter)

