



DVHV2800D Series

HIGH RELIABILITY HYBRID DC-DC CONVERTERS

DESCRIPTION

The DVHV series of high reliability DC-DC converters is operable over the full military (-55 °C to +125 °C) temperature range with no power derating. Unique to the DVHV series are robust and effective input and output filters which provide dramatically reduced input and output noise performance when compared to other manufacturers competing devices. Operating at a nominal fixed frequency of 475 kHz, these regulated, isolated units utilize a high speed magnetic feedback design and well controlled undervoltage lockout circuitry to eliminate slow start-up problems.

These converters are designed and manufactured in a facility qualified to ISO9001 and certified to MIL-PRF-38534 and MIL-STD-883.

This product may incorporate one or more of the following U.S. patents:

5,784,266
 5,790,389
 5,963,438
 5,999,433
 6,005,780
 6,084,792
 6,118,673

FEATURES

- High Reliability
- Very Low Output Noise
- Wide Input Voltage Range: 15 to 50 Volts per MIL-STD-704
- Up to 15 Watts Output Power
- Fault Tolerant Magnetic Feedback Circuit
- NO Use of Optoisolators
- Undervoltage Lockout
- Indefinite Short Circuit Protection
- Current Limit Protection
- Industry Standard Pinout
- High Input Transient Voltage: 80 Volts for 1 sec per MIL-STD-704A
- Precision Seam Welded Hermetic Package
- Custom Versions Available
- Additional Environmental Screening Available
- Meets MIL-STD-461 Revisions C, D, E and F EMC Requirements When Used With VPT's EMI Filters
- Flanged and Non-flanged Versions Available.
- MIL-PRF-38534 Element Evaluated Components
- Space Applications should consider VPT's "S" Series of Radiation Tolerant Power Conversion Devices. Contact VPT for details.

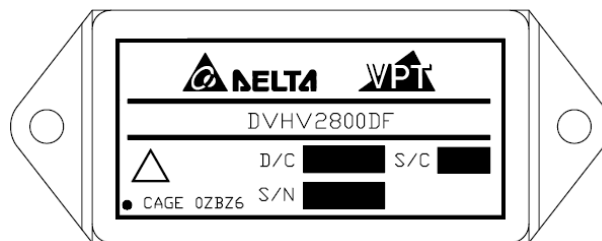


Figure 1 – DVHV2800D / DVHV2800DF DC-DC Converter
 (Exact marking may differ from that shown)

SPECIFICATIONS (T_{CASE} = -55°C to +125°C, V_{IN} = +28V ± 5%, Full Load⁵, Unless Otherwise Specified)

ABSOLUTE MAXIMUM RATINGS

Input Voltage (Continuous)	50 V _{DC}	Junction Temperature Rise to Case	+15°C
Input Voltage (Transient, 1 second)	80 Volts	Storage Temperature	-65°C to +150°C
Output Power ¹	15 Watts	Lead Solder Temperature (10 seconds)	270°C
Power Dissipation (Full Load, T _{CASE} = +125°C)	6 Watts	Weight (Maximum) (Un-Flanged / Flanged)	(52 / 55) Grams
ESD Rating per MIL-PRF-38534	3A		

Parameter	Conditions	DVHV2805D			DVHV2812D			Units
		Min	Typ	Max	Min	Typ	Max	
STATIC								
INPUT Voltage ⁴	Continuous	15	28	50	15	28	50	V
	Transient, 1 sec	-	-	80	-	-	80	V
Current	Inhibited	-	-	6	-	-	6	mA
	No Load	-	-	90	-	-	90	mA
Ripple Current	Full Load ⁵ , 20Hz to 10MHz	-	-	50	-	-	50	mA _{p-p}
Inhibit Pin Input ⁴		0	-	1.5	0	-	1.5	V
Inhibit Pin Open Circuit Voltage ⁴		9.0	11.0	13.0	9.0	11.0	13.0	V
UVLO Turn On		12.0	-	14.8	12.0	-	14.8	V
UVLO Turn Off ⁴		11.0	-	14.5	11.0	-	14.5	V
OUTPUT Voltage ⁵	+V _{OUT} T _{CASE} = 25°C	4.95	5.0	5.05	11.88	12.0	12.12	V
	+V _{OUT} T _{CASE} = -55°C to +125°C	4.925	5.0	5.075	11.82	12.0	12.18	V
	-V _{OUT} T _{CASE} = 25°C	4.925	5.0	5.075	11.82	12.0	12.18	V
	-V _{OUT} T _{CASE} = -55°C to +125°C	4.90	5.0	5.10	11.76	12.0	12.24	V
Power ^{3,6}	Total	0	-	15	0	-	15	W
	±V _{OUT} Either Output	0	-	10.5	0	-	10.5	W
Current ^{3,6}	±V _{OUT} Either Output	0	-	2.1	0	-	0.875	A
Ripple Voltage	±V _{OUT} Full Load ⁵ , 20Hz to 10MHz	-	-	30	-	-	40	mV _{p-p}
Line Regulation	+V _{OUT} V _{IN} = 16V to 40V	-	-	20	-	-	20	mV
	-V _{OUT} V _{IN} = 16V to 40V	-	-	200	-	-	200	mV
Load Regulation	+V _{OUT} 5% Load to Full Load ⁵	-	-	50	-	-	50	mV
	-V _{OUT} 5% Load to Full Load ⁵	-	-	200	-	-	200	mV
Cross Regulation	-V _{OUT} +Load 70%, -Load 30% +Load 30%, -Load 70%	-	-	500	-	-	500	mV
EFFICIENCY	Full Load ⁵	74	-	-	76	-	-	%
LOAD FAULT POWER DISSIPATION	Overload ⁴	-	-	11	-	-	11	W
	Short Circuit	-	-	11	-	-	11	W
CAPACITIVE LOAD ⁴	Either Output	-	-	500	-	-	500	μF
SWITCHING FREQUENCY		400	475	550	400	475	550	kHz
SYNC FREQUENCY RANGE	V _H - V _L = 5V, DC = 20-80%	500	-	600	500	-	600	kHz
ISOLATION	500 V _{DC} , T _{CASE} = 25°C	100	-	-	100	-	-	MΩ
MTBF (MIL-HDBK-217F)	AIF @ T _C = 55°C	-	413	-	-	413	-	kHrs

See notes next page.

SPECIFICATIONS (T_{CASE} = -55°C to +125°C, V_{IN} = +28V ± 5%, Full Load⁵, Unless Otherwise Specified)

ABSOLUTE MAXIMUM RATINGS

Input Voltage (Continuous)	50 V _{DC}	Junction Temperature Rise to Case	+15°C
Input Voltage (Transient, 1 second)	80 Volts	Storage Temperature	-65°C to +150°C
Output Power ¹	15 Watts	Lead Solder Temperature (10 seconds)	270°C
Power Dissipation (Full Load, T _{CASE} = +125°C)	6 Watts	Weight (Maximum) (Un-Flanged / Flanged)	(52 / 55) Grams
ESD Rating per MIL-PRF-38534	3A		

Parameter	Conditions	DVHV2805D			DVHV2812D			Units	
		Min	Typ	Max	Min	Typ	Max		
DYNAMIC									
Load Step Output Transient	±V _{OUT}	Half Load to Full Load	-	-	200	-	-	300	mV _{PK}
Load Step Recovery ²			-	-	400	-	-	500	μSec
Line Step Output Transient ⁴	±V _{OUT}	V _{IN} = 16V to 40V	-	300	600	-	500	900	mV _{PK}
Line Step Recovery ^{2, 4}			-	300	500	-	300	500	μSec
Turn On Delay	±V _{OUT}	V _{IN} = 0V to 28V	-	-	20	-	-	20	mSec
Turn On Overshoot			-	-	25	-	-	50	mV _{PK}

- Notes:
1. Dependant on output voltage.
 2. Time for output voltage to settle within 1% of its nominal value.
 3. Derate linearly to 0 at 135°C.
 4. Verified by qualification testing.
 5. Half load at +V_{OUT} and half load at -V_{OUT}.
 6. Up to 70% of the total power or current can be drawn from any one of the two outputs.

SPECIFICATIONS (T_{CASE} = -55°C to +125°C, V_{IN} = +28V ± 5%, Full Load⁵, Unless Otherwise Specified)

ABSOLUTE MAXIMUM RATINGS

Input Voltage (Continuous)	50 V _{DC}	Junction Temperature Rise to Case	+15°C
Input Voltage (Transient, 1 second)	80 Volts	Storage Temperature	-65°C to +150°C
Output Power ¹	15 Watts	Lead Solder Temperature (10 seconds)	270°C
Power Dissipation (Full Load, T _{CASE} = +125°C)	6 Watts	Weight (Maximum) (Un-Flanged / Flanged)	(52 / 55) Grams
ESD Rating per MIL-PRF-38534	3A		

Parameter	Conditions	DVHV2815D			Units
		Min	Typ	Max	
STATIC					
INPUT Voltage ⁴	Continuous	15	28	50	V
	Transient, 1 sec	-	-	80	V
Current	Inhibited	-	-	6	mA
	No Load	-	-	90	mA
Ripple Current	Full Load ⁵ , 20Hz to 10MHz	-	-	50	mA _{p-p}
Inhibit Pin Input ⁴		0	-	1.5	V
Inhibit Pin Open Circuit Voltage ⁴		9.0	11.0	13.0	V
UVLO Turn On		12.0	-	14.8	V
UVLO Turn Off ⁴		11.0	-	14.5	V
OUTPUT Voltage ⁵	+V _{OUT} T _{CASE} = 25°C	14.85	15.0	15.15	V
	+V _{OUT} T _{CASE} = -55°C to +125°C	14.775	15.0	15.225	V
	-V _{OUT} T _{CASE} = 25°C	14.775	15.0	15.225	V
	-V _{OUT} T _{CASE} = -55°C to +125°C	14.70	15.0	15.30	V
Power ^{3,6}	Total	-	-	15	W
	±V _{OUT} Either Output	-	-	10.5	W
Current ^{3,6}	±V _{OUT} Either Output	-	-	0.7	A
Ripple Voltage	±V _{OUT} Full Load ⁵ , 20Hz to 10MHz	-	-	40	mV _{p-p}
Line Regulation	+V _{OUT} V _{IN} = 16V to 40V	-	-	20	mV
	-V _{OUT} V _{IN} = 16V to 40V	-	-	200	mV
Load Regulation	+V _{OUT} 5% Load to Full Load ⁵	-	-	50	mV
	-V _{OUT} 5% Load to Full Load ⁵	-	-	200	mV
Cross Regulation	-V _{OUT} +Load 70%, -Load 30% +Load 30%, -Load 70%	-	-	500	mV
EFFICIENCY	Full Load ⁵	77	-	-	%
LOAD FAULT POWER DISSIPATION	Overload ⁴	-	-	11	W
	Short Circuit	-	-	11	W
CAPACITIVE LOAD ⁴	Either Output	-	-	500	μF
SWITCHING FREQUENCY		400	475	550	kHz
SYNC FREQUENCY RANGE	V _H - V _L = 5V, DC = 20-80%	500	-	600	kHz
ISOLATION	500 V _{DC} , T _{CASE} = 25°C	100	-	-	MΩ
MTBF (MIL-HDBK-217F)	AIF @ T _C = 55°C	-	413	-	kHrs

See notes next page.

SPECIFICATIONS (T_{CASE} = -55°C to +125°C, V_{IN} = +28V ± 5%, Full Load⁵, Unless Otherwise Specified)

ABSOLUTE MAXIMUM RATINGS

Input Voltage (Continuous)	50 V _{DC}	Junction Temperature Rise to Case	+15°C
Input Voltage (Transient, 1 second)	80 Volts	Storage Temperature	-65°C to +150°C
Output Power ¹	15 Watts	Lead Solder Temperature (10 seconds)	270°C
Power Dissipation (Full Load, T _{CASE} = +125°C)	6 Watts	Weight (Maximum) (Un-Flanged / Flanged)	(52 / 55) Grams
ESD Rating per MIL-PRF-38534	3A		

Parameter	Conditions	DVHV2815D			Units	
		Min	Typ	Max		
DYNAMIC						
Load Step Output Transient	±V _{OUT}	Half Load to Full Load	-	-	350	mV _{PK}
Load Step Recovery ²			-	-	500	µSec
Line Step Output Transient ⁴	±V _{OUT}	V _{IN} = 16V to 40V	-	500	900	mV _{PK}
Line Step Recovery ^{2, 4}			-	300	500	µSec
Turn On Delay	±V _{OUT}	V _{IN} = 0V to 28V	-	-	20	mSec
Turn On Overshoot			-	-	50	mV _{PK}

- Notes:
1. Dependant on output voltage.
 2. Time for output voltage to settle within 1% of its nominal value.
 3. Derate linearly to 0 at 135°C.
 4. Verified by qualification testing.
 5. Half load at +V_{OUT} and half load at -V_{OUT}.
 6. Up to 70% of the total power or current can be drawn from any one of the two outputs.

BLOCK DIAGRAM

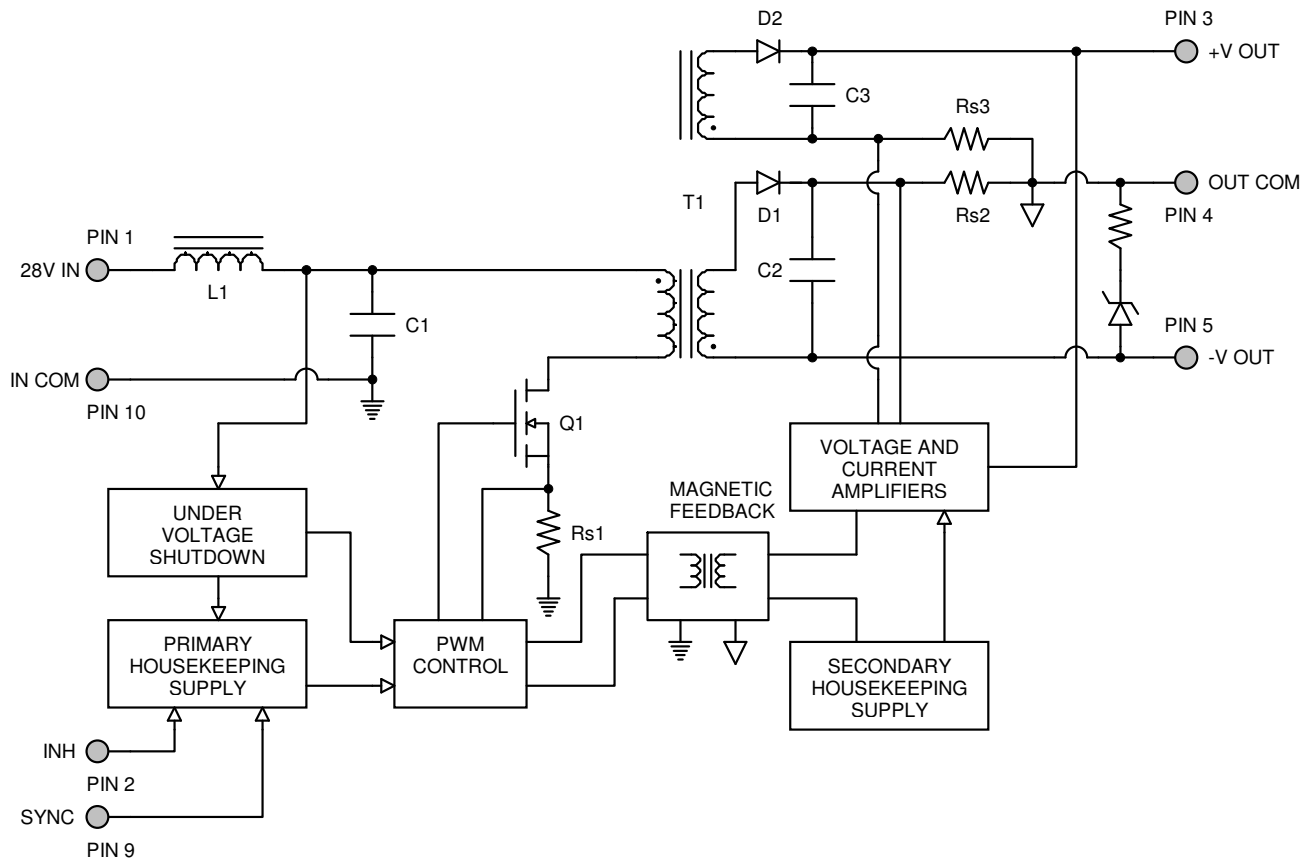


Figure 2

CONNECTION DIAGRAM

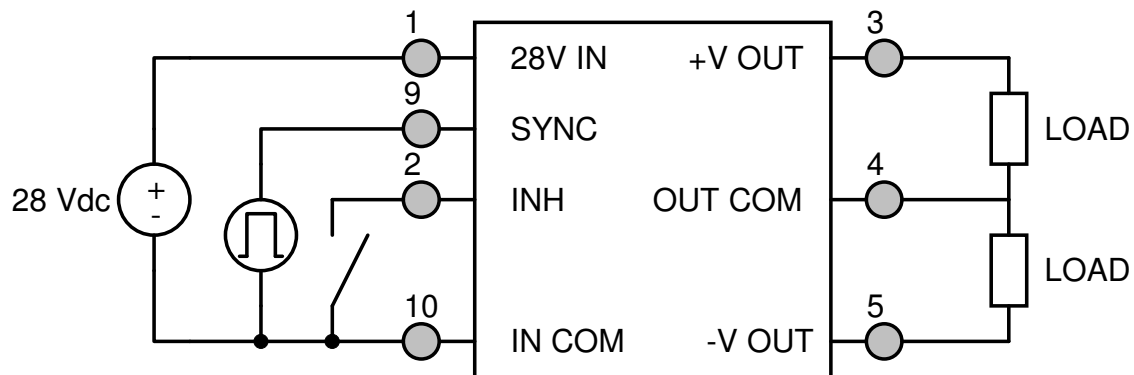


Figure 3

INHIBIT DRIVE CONNECTION DIAGRAMS

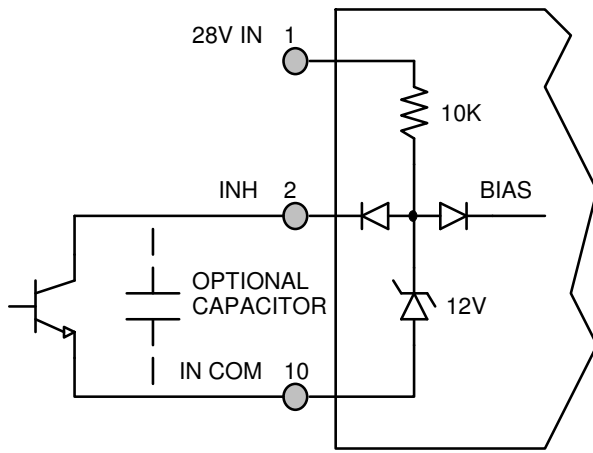


Figure 4 – Internal Inhibit Circuit and Recommended Drive
(Shown with optional capacitor for turn-on delay)

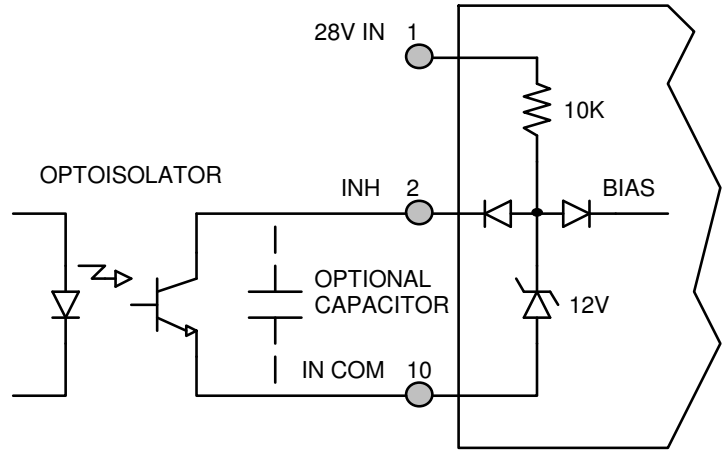


Figure 5 – Isolated Inhibit Drive
(Shown with optional capacitor for turn-on delay)

EMI FILTER HOOKUP DIAGRAM

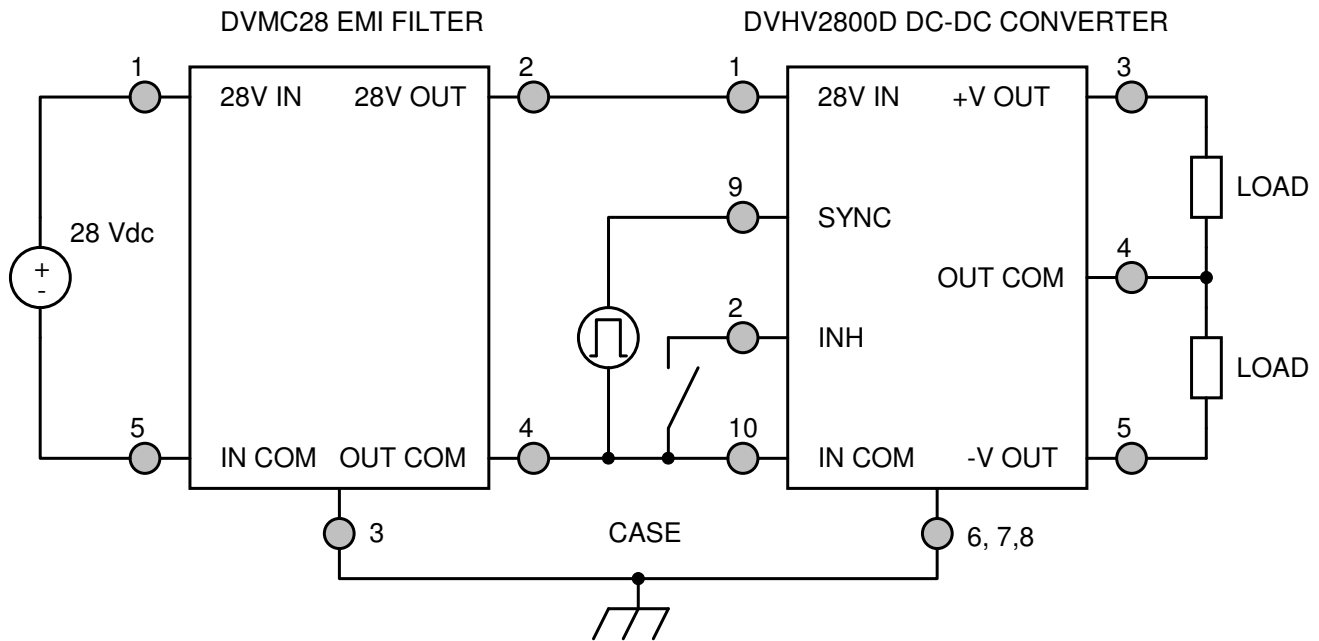


Figure 6 – Converter with EMI Filter

EFFICIENCY PERFORMANCE CURVES ($T_{CASE} = 25^{\circ}C$, Full Load, Unless Otherwise Specified)

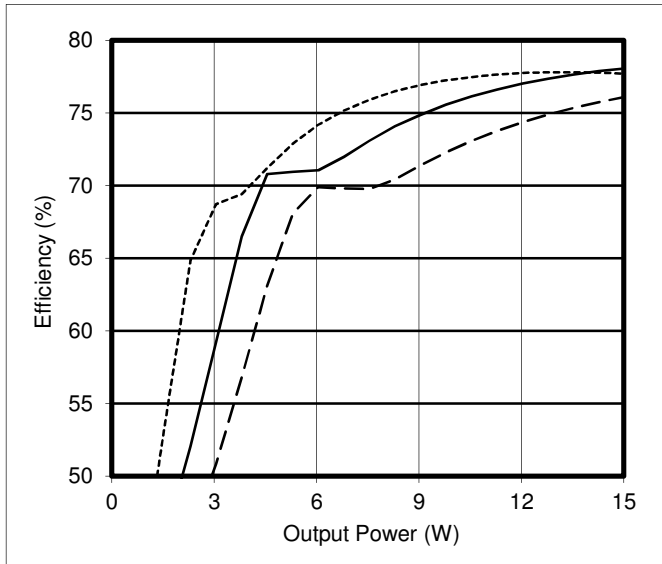


Figure 7 – DVHV2805D
Efficiency (%) vs. Output Power (W)

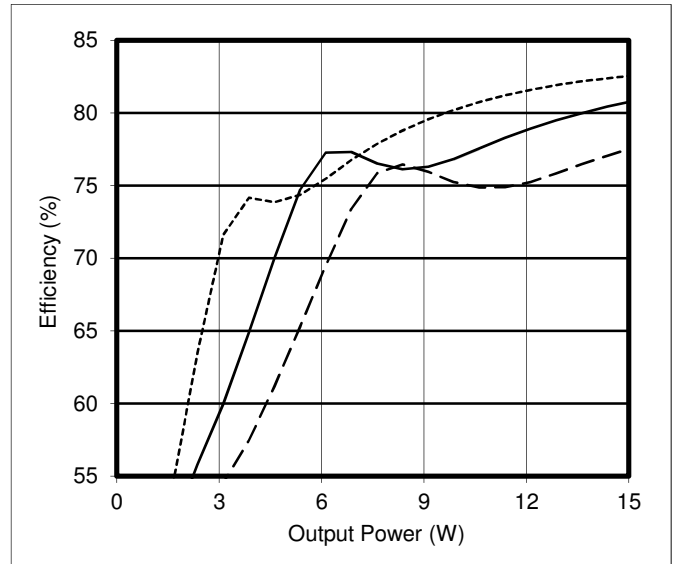


Figure 8 – DVHV2812D
Efficiency (%) vs. Output Power (W)

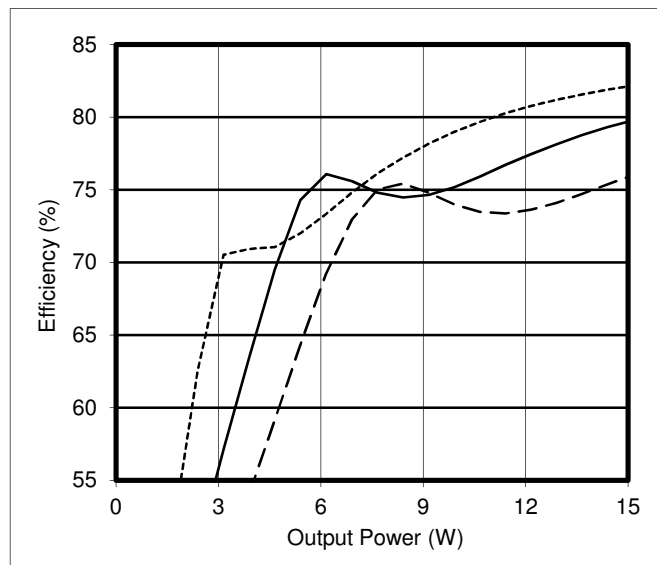


Figure 9 – DVHV2815D
Efficiency (%) vs. Output Power (W)

CROSS REGULATION CURVES ($T_{CASE} = 25^{\circ}C$, Full Load, Unless Otherwise Specified)

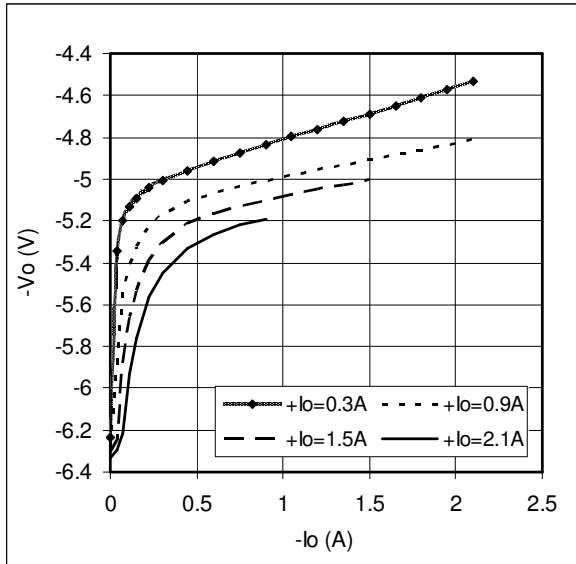
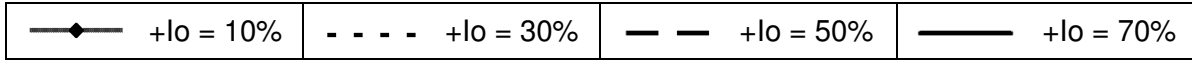


Figure 10 – DVHV2805D
-Vout (V) vs. -Iout (A)

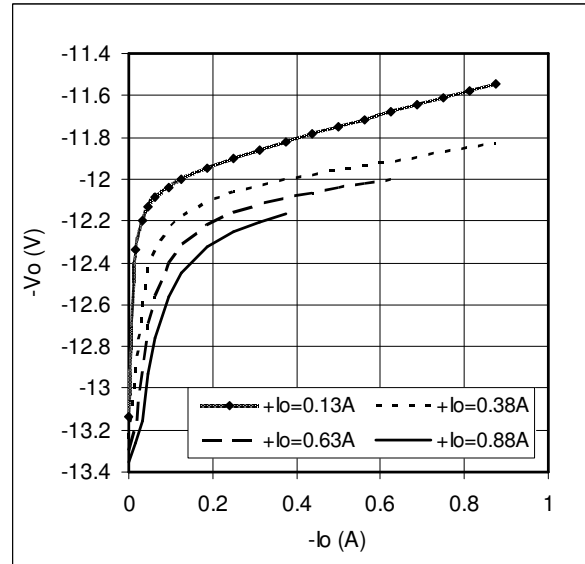


Figure 11 – DVHV2812D
-Vout (V) vs. -Iout (A)

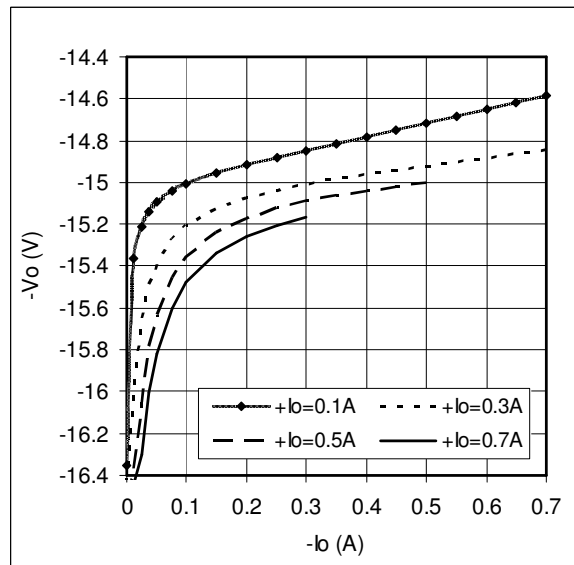


Figure 12 – DVHV2815D
-Vout (V) vs. -Iout (A)

EMI PERFORMANCE CURVES

($T_{CASE} = 25^{\circ}C$, $V_{IN} = +28V \pm 5\%$, Full Load, Unless Otherwise Specified)

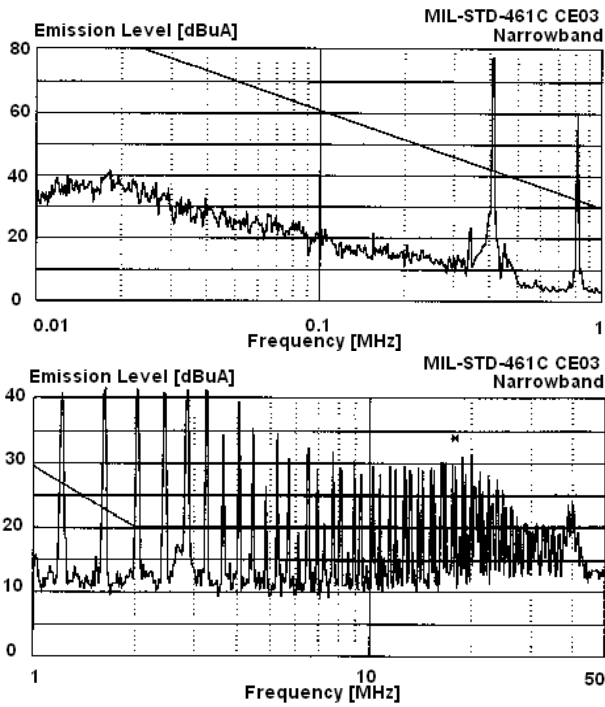


Figure 13 – DVHV2800D without EMI Filter

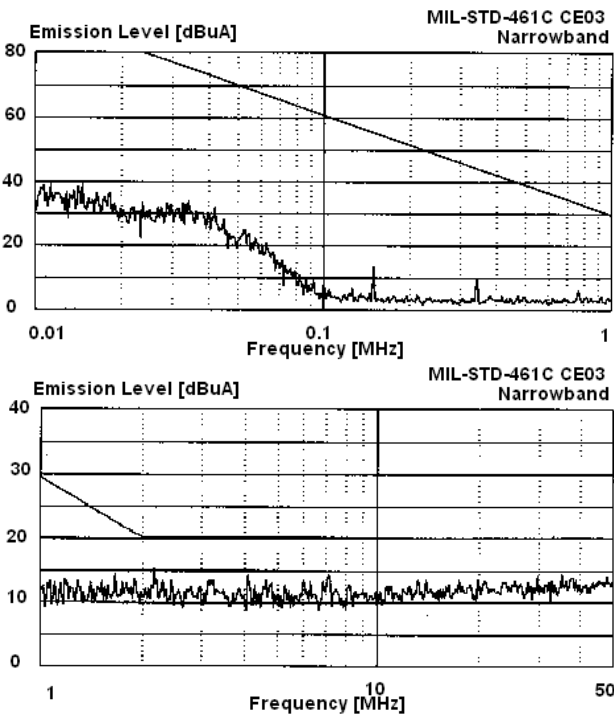
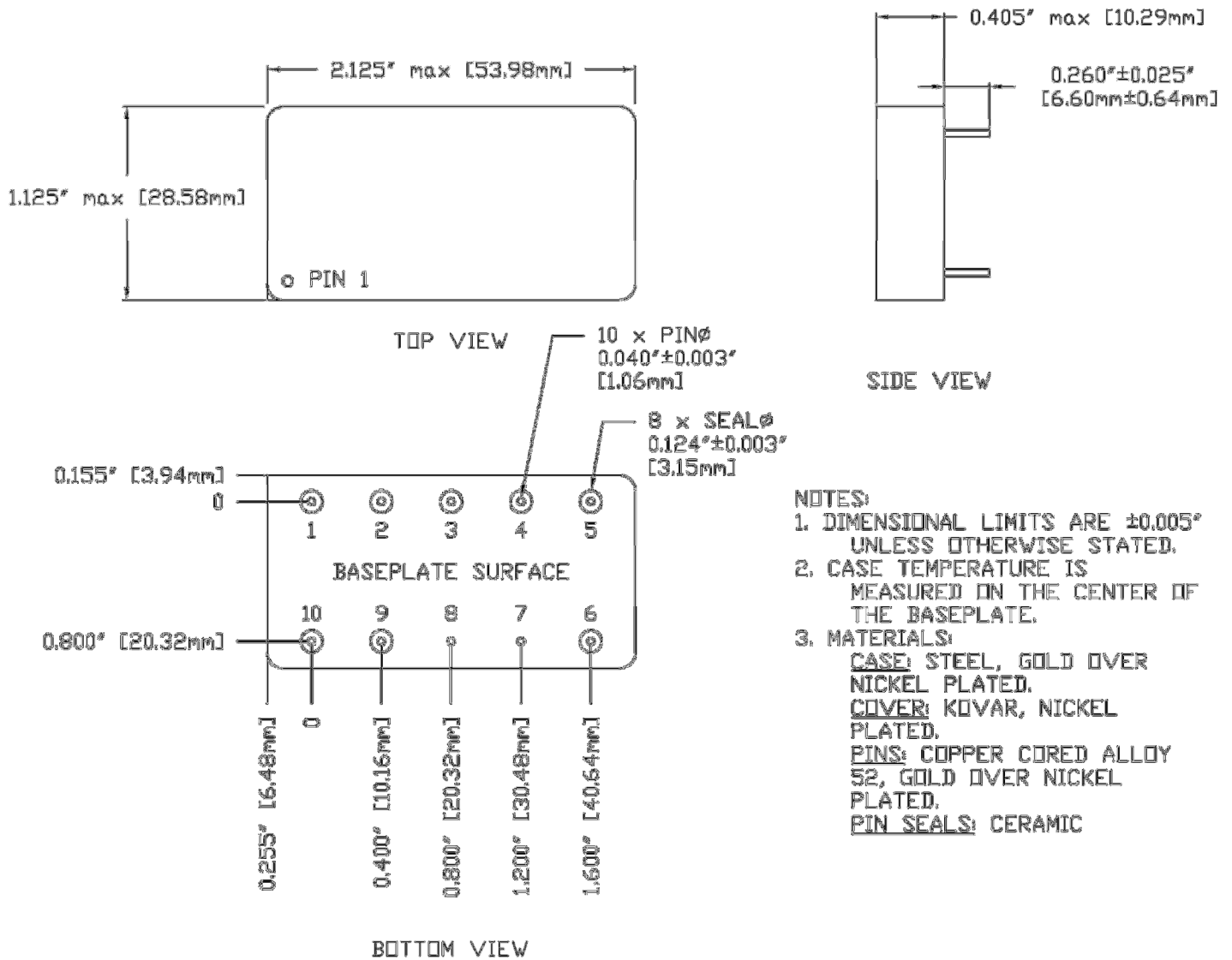


Figure 14 – DVHV2800D with EMI Filter

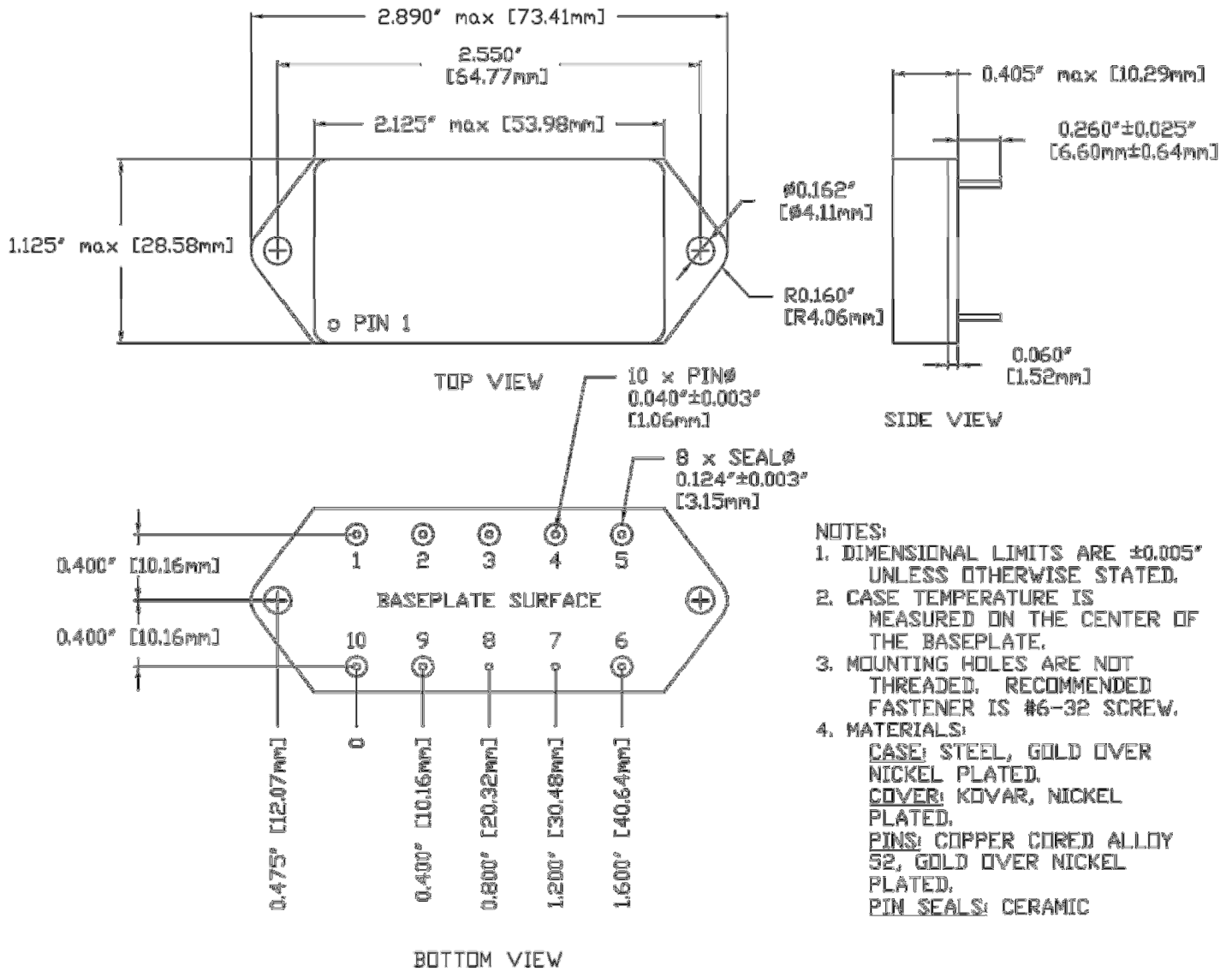
PACKAGE SPECIFICATIONS (NON-FLANGED, SEAM SEAL)



Pin	Function	Pin	Function
1	28V IN	6	CASE
2	INHIBIT	7	CASE
3	+V OUT	8	CASE
4	OUT COM	9	SYNC
5	-V OUT	10	IN COM

Figure 15 – Non-Flanged, Seam Seal Package and Pinout

PACKAGE SPECIFICATIONS (FLANGED, SEAM SEAL)



Pin	Function	Pin	Function
1	28V IN	6	CASE
2	INHIBIT	7	CASE
3	+V OUT	8	CASE
4	OUT COM	9	SYNC
5	-V OUT	10	IN COM

Figure 16 – Flanged, Seam Seal Package and Pinout

PACKAGE PIN DESCRIPTION

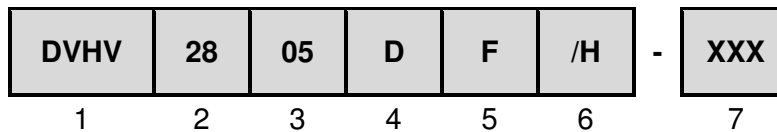
Pin	Function	Description
1	28V IN	Positive Input Voltage Connection
2	INHIBIT	Logic Low = Disabled Output. Connecting the inhibit pin to input common causes converter shutdown. Logic High = Enabled Output. Unconnected or open collector TTL.
3	+V OUT	Positive Output Voltage Connection
4	OUT COM	Output Common Connection
5	-V OUT	Negative Output Voltage Connection
6	CASE	Case Connection
7	CASE	Case Connection
8	CASE	Case Connection
9	SYNC	Synchronization Signal
10	IN COM	Input Common Connection

ENVIRONMENTAL SCREENING (100% Tested Per MIL-STD-883 as referenced to MIL-PRF-38534)

Test	MIL-STD-883 Test Method, Condition	No Suffix (Standard) Non-QML ⑤	/ES (Extended) Non-QML ⑤	/H (Class H)	/K (Class K)
Non-Destructive Bond Pull	TM2023	• ④	• ④	• ④	•
Internal Visual	TM2010, TM2017, TM2032 (MIL-STD-750, TM2072, TM2073)	•	•	•	•
Temperature Cycling	TM1010, Condition C -65°C to 150°C, Ambient			•	•
	TM1010, Condition B -55°C to 125°C, Ambient		•		
Constant Acceleration	TM2001, 3000g, Y1 Direction			•	•
	TM2001, 500g, Y1 Direction		•		
PIND ⑦	TM2020, Condition A				•
Pre Burn-In Electrical	25°C				•
Burn-In	TM1015, 320 hrs, 125°C, Case Typ				•
	TM1015, 160 hrs, 125°C, Case Typ			•	
	96 hrs, 125°C, Case Typ		•		
	24 hrs, 125°C, Case Typ	•			
Final Electrical	MIL-PRF-38534, Group A Subgroups 1-6 -55°C, 25°C, 125°C ③			•	•
	MIL-PRF-38534, Group A Subgroups 1 and 4 25°C	•	•		
Hermeticity (Seal)	TM1014, Fine Leak, Condition A2		•	•	•
	TM1014, Gross Leak, Condition C		•	•	•
	Gross Leak, Dip (1 x 10 ⁻³)	•			
Radiography ⑧	TM2012				•
External Visual	TM2009	•	•	•	•

- Notes:
- ① Contact Sales for more information concerning additional environmental screening and testing options desired.
 - ② VPT Inc. reserves the right to ship higher screened or SMD products to meet lower screened orders at our sole discretion unless specifically forbidden by customer contract.
 - ③ 100% R&R testing with all test data included in product shipment.
 - ④ Not required per MIL-PRF-38534. Test is performed for additional product quality assurance.
 - ⑤ Non-QML products may not meet all requirements of MIL-PRF-38534.
 - ⑥ Note intentionally not used.
 - ⑦ PIND test Certificate of Compliance included in product shipment.
 - ⑧ Radiographic test Certificate of Compliance and film(s) or data CD included in product shipment.

ORDERING INFORMATION



(1) Product Series	(2) Nominal Input Voltage		(3) Output Voltage		(4) Number of Outputs	
DVHV	28	28 Volts	05 12 15	± 5 Volts ± 12 Volts ± 15 Volts	D	Dual

(5) Package Option		(6) Screening Code ¹		(7) Additional Screening Code
None F	Non-Flanged Flanged	None /ES /H /K	Standard Extended Class H Class K	Contact Sales

Notes: 1. VPT Inc. reserves the right to ship higher screened or SMD products to meet lower screened orders at our sole discretion unless specifically forbidden by customer contract.

Please contact your sales representative or the VPT Inc. Sales Department for more information concerning additional environmental screening and testing, different input voltage, output voltage, power requirement, source inspection, and/or special element evaluation for space or other higher quality applications.

SMD (STANDARD MICROCIRCUIT DRAWING) NUMBERS

Standard Microcircuit Drawing (SMD)	DVHV2800D Series Similar Part Number
5962-1122701HXC 5962-1122701HXA 5962-1122701HYC 5962-1122701HYA 5962-1122701KXC 5962-1122701KXA 5962-1122701KYC 5962-1122701KYA	DVHV2805D/H DVHV2805D/H-E DVHV2805DF/H DVHV2805DF/H-E DVHV2805D/K DVHV2805D/K-E DVHV2805DF/K DVHV2805DF/K-E
5962-1122702HXC 5962-1122702HXA 5962-1122702HYC 5962-1122702HYA 5962-1122702KXC 5962-1122702KXA 5962-1122702KYC 5962-1122702KYA	DVHV2812D/H DVHV2812D/H-E DVHV2812DF/H DVHV2812DF/H-E DVHV2812D/K DVHV2812D/K-E DVHV2812DF/K DVHV2812DF/K-E
5962-1122703HXC 5962-1122703HXA 5962-1122703HYC 5962-1122703HYA 5962-1122703KXC 5962-1122703KXA 5962-1122703KYC 5962-1122703KYA	DVHV2815D/H DVHV2815D/H-E DVHV2815DF/H DVHV2815DF/H-E DVHV2815D/K DVHV2815D/K-E DVHV2815DF/K DVHV2815DF/K-E

Do not use the DVHV2800D Series similar part number for SMD product acquisition. It is listed for reference only. For exact specifications for the SMD product, refer to the SMD drawing. SMD's can be downloaded from the DLA Land and Maritime (Previously known as DSCC) website at <https://landandmaritimeapps.dla.mil/programs/defaultapps.asp>. The SMD number listed above is for standard gold plated lead finish and no RHA (Radiation Hardness Assurance) level. Please reference the SMD for other screening levels, lead finishes, and radiation levels. All SMD products are marked with a "Q" on the cover as specified by the QML certification mark requirement of MIL-PRF-38534.

CONTACT INFORMATION

To request a quotation or place orders please contact your sales representative or the VPT Inc. Sales Department at:

Phone: (425) 353-3010
Fax: (425) 353-4030
E-mail: vptsales@vpt-inc.com

All information contained in this datasheet is believed to be accurate, however, no responsibility is assumed for possible errors or omissions. The products or specifications contained herein are subject to change without notice.